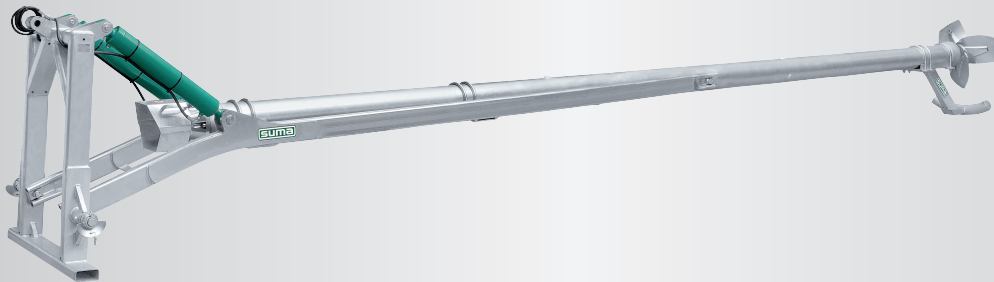




GIANTMIX Z6



Application

Long-axis agitator for agitation in open tanks and lagoons up to 23 ft depth
For tractor use

Technical data

Tube length 24.6 / 29.5 ft
Three-point-frame (cat. 3) with 2 hydraulic cylinder for vertical adjustment, max. 45°
Agitator completely in modular design
Support leg made of rounded pipe profile

Bearing (drive train)

Standard design with drive train HY for one rotational direction with power-take off connection
1-3/4" (6-chock)
Bearing head as own modular unit
1-3/4" (26-chock)

Bearing (propeller)

2 tapered roller bearings to absorb the axial forces
Conical shaft Ø 2.4 in (hardened)
Sealing with mechanical seal SiC/SiC
Bearing head with own oil circulation

Tube and drive shaft

Tube Ø 7.6 x 0.25 in galvanized
Drive shaft Ø 2.8 in with multiple interim bearing
Interim bearing package with ball bearing, permanently lubricated

Propeller

3-blade high efficiency propeller, dynamically balanced
Propeller-size depends on tractor power

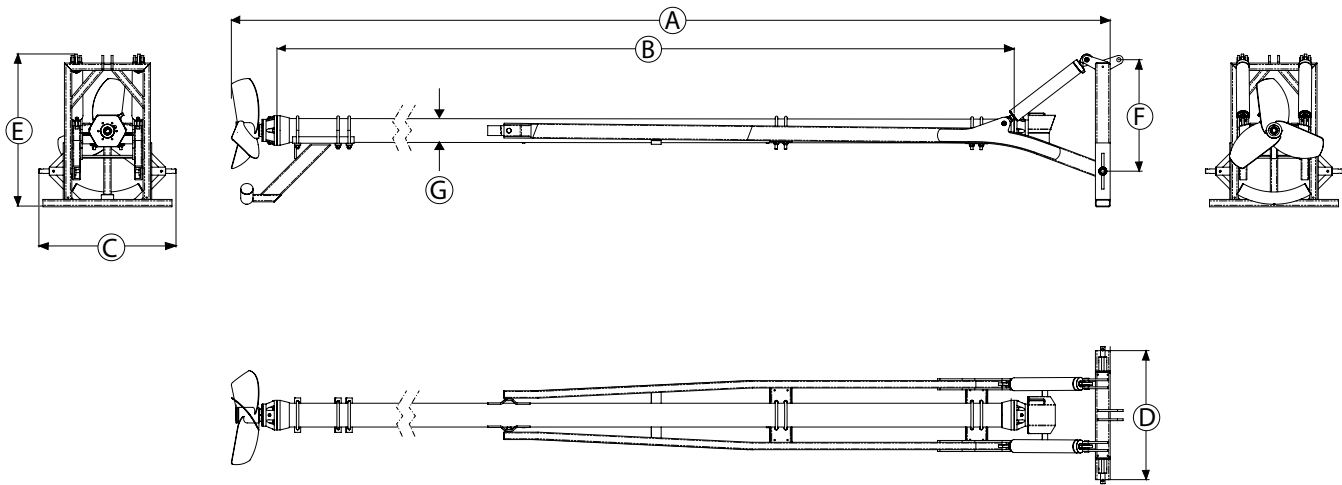
MS 700	215 hp
MS 850	268 hp

Galvanized or hardened steel

Accessories

Cardan shaft W 2600 (L = 1.210) 1-3/4" (6-chock)

GIANTMIX Z6



Dimensions

Type	A [m]	B [m]	C [m]	D [in]	E [in]	F [in]	G [∅ in in]	Weight [lbs]				
Z6 (7.5 m)	350.4	295.3	43.9	37.2	49.0	35.7	7.6	1,873				
Z6 (9.0 m)	409.4	354.3	43.9	37.2	49.0	35.7	7.6	2,116				

Subject to technical changes