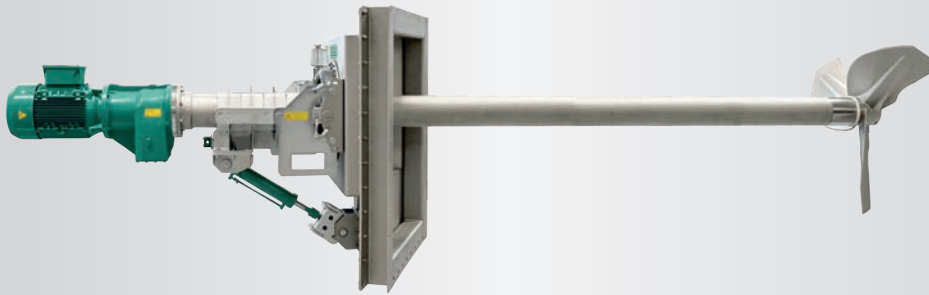


GIANTMIX AMX

AMX 5 185-95

AMX 6 220-95



Application

Heavy duty mixer with midsized rod lengths 13' to 19'
 Mounted to side of tank
 Dry matter content up to 16%
 POM protective sleeve
 Combinations of motors and propeller designs possible to achieve desired mixing goals
 Substrate temperature up to 160 F
 pH-value 6.5 - 8.5

Technical data

25° sealing plate in ss304 other angles as well as stainless 316 version on request
 Sound pressure level 75 dB(A)
 Installation up to 19' below substrate level
 Damping system with special rubber on cylinder wall bracket and in hinged brackets
 Overflow container for monitoring oil level
 Agitator completely manufactured in modular design

Motor

Performance IE3-motor: 25 | 30 hp
 Overheat protection
 Ex-Motor II 3G Ex nA IIA T3 Gc (ex-zone 2)

Gear

Spur gear drive, helical teeth, low noise level
 Reduction ration $i = 18.0$
 Longlife gear oil
 12,000 operating hours between oil changes

Bearing

SiC/SiC mechanical seal for bearing housing with two tapered roller bearings to absorb axial forces
 Stabilizing bearings for the drive shaft (slide bearings) in the protective tube

Propeller

3-blade high efficiency propeller, dynamically balanced

AMX5	25 hp	propeller XT 1600-25	95 rpm
AMX6	30 hp	propeller XT 1600-30	95 rpm

stainless 304, stainless 316 or polymer coated

Adjustment range

Sealing plate 56" x 68" optional right or left 25° preset, other ranges on request
 Vertical inclination through hydraulic cylinder + 5° / - 30°
 Tank opening (WxH): 43" x 55"

Ex-zone

Ex-Zone 2 (outside tank) and Zone 1 (inside tank)
 Classification mechanical components:
 II 2G ex h IIA T3

Control box

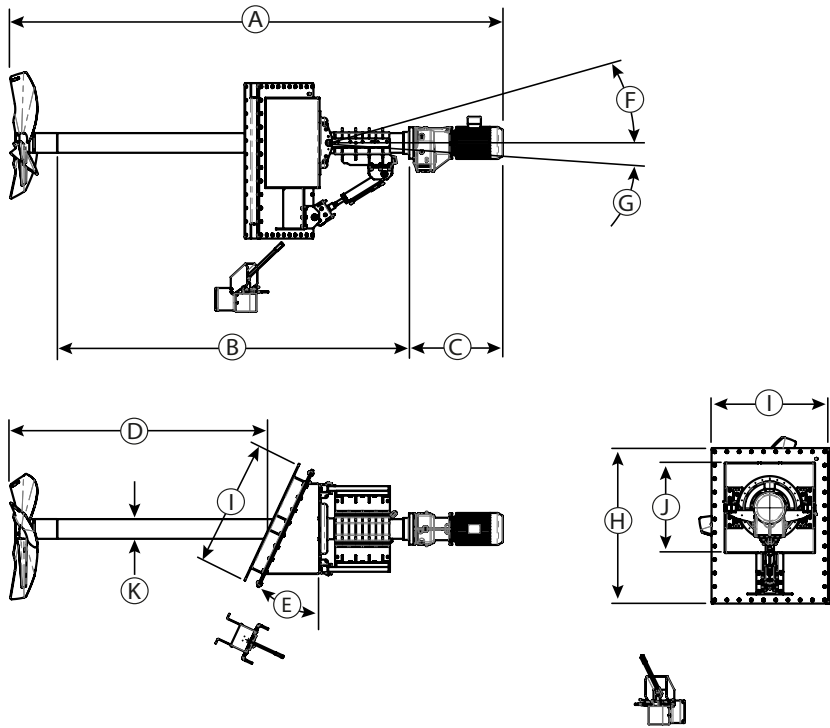
Requirement on site: Frequency converter absolutely necessary
 Delivery with 13' connecting cable



GIANTMIX AMX

AMX 5 185-95

AMX 6 220-95



Dimensions

Type	A [in]	B [in]	C [in]	D [in]	E	F	G	H [in]	I [in]	J [in]	K [in]
AMX 5 - 6	216	157	40	121	25°	30°	5°	68	56	43 x 43	9
	-	-		-							
	295	236		200							

Technical data

Type	Rated power [hp]	Frequency [Hz]	Gear reduction ratio	Propeller speed [rpm]	Propeller diameter [in]	Axial force [lbf]	Flow velocity [ft/s] *	Pumping rate Water [gal/min]	Weight approximate [lbs]
AMX 5	25.0	60	18	95	63	2,068	12.8	108,839	3,968
AMX 6	30.0	60	18	95	63	2,248	12.8	108,839	3,968

Subject to change without notice

* measured in water and 3.94 ft distance

2021-02

© SUMA America Inc. | 2700 Patriot Blvd Suite 250 | Glenview, IL 60026

Tel: (312) 945 9049 | Email: sales@gosuma.com | www.gosuma.com