



OPTIMIX 2G

30-870

40-1150



Application

Submersible motor
Dry matter content up to 8 %
Substrate temperature up to 131 F
pH-value 6.5 - 8.2

Propeller

3-blade high efficiency propeller, dynamically balanced

Optimix 2G	4 hp	870 rpm	propeller LD 310
Optimix 2G	5.5 hp	1150 rpm	propeller LD 215

Galvanized, hardened steel, ss304 or hardened ss304

Motor

Motor power: 4 hp, 5.5 hp; 60Hz
Protection class IP 68, up to 33 ft submergence
PTC thermistors for overheat protection
Own oil circulation, turbine oil

Guiding unit

Guide mast support with 4 rollers for smooth height adjustment:
3.2 / 3.9 / 4.7 square mast
Special sizes on request

Bearing

Bearing flange with mechanical seal of SiC/SiC
2 tapered roller bearings to absorb the axial forces
Bearing flange with separate oil chamber, Longlife-oil

Corrosion protection

Ductile cast iron housing (GGG40) (G-series),
stainless 304 or 316 (A-series)
Agitator has a two component epoxy coating
Agitator is galvanically isolated from the guide mast

Ex zone (tube and gear)

Authorized for Ex-Zone 2

Electric cable

Standard length 33 ft, with pressed-on cable gland
4 x 2,5 + 2 x 1 mm², Ø 0.8 in
Microbe resistant cable
Strain relief 180 lbf

Controls

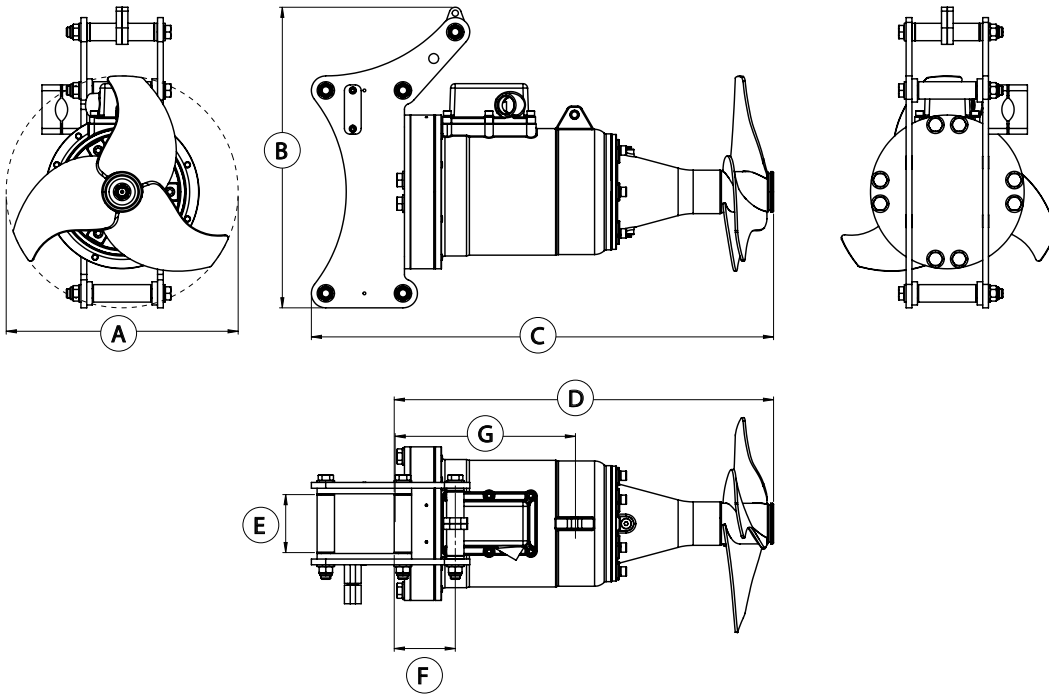
Soft start or frequency converter



OPTIMIX 2G

30-870

40-1150



Dimensions

Type	A Ø [in]	B [in]	C [in]	D [in]	E [in]	F [in]	G [in]
2G 30-870	12.1	20.5	31.5	25.6	3.2 / 3.9 / 4.7	4.1	12.2
2G 40-1150	8.5	20.5	31.5	25.6	3.2 / 3.9 / 4.7	4.1	12.2

Technical data

Type	Rated Power [hp]	Frequency [Hz]	Propeller speed [rpm]	Propeller diameter [in]	Axial force [lbf]	Flow velocity [ft/s] *	Pumping rate [gal/min]	Weight approx. [lbs]
2G 30-870	4.0	60	870	12.2	146.1	9.2	3,170	330
2G 40-1150	5.5	60	1,150	8.5	87.7	8.9	1,321	330

Subject to change without notice

* measured in water and 3.94 ft distance

As per: 2024-11

© SUMA America Inc. | 2700 Patriot Blvd Suite 400 | Glenview, IL 60026

Phone: 312.912.1961 | Email: sales@gosuma.com | www.gosuma.com