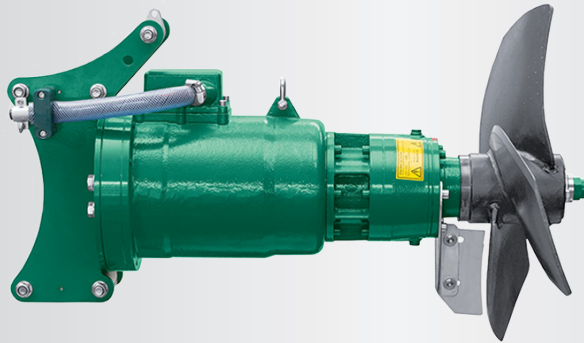


OPTIMIX 2G

150-460



Application

Submersible motor for liquids tanks with dry matter content up to 12 % and substrate temperatures up to 132 F
pH-value 6.5 - 8.2

Motor

Motor: 12 / 20 hp, 60Hz
Protection class IP 68, up to 33' submergence
Overheat protection
Isolated oil circuit, turbine oil

Gear

Robust planetary gear
Reduction ratio $i = 3.83 / 5.25$
Own oil circuit, Longlife gear oil
4,000 operating hours between oil changes

Bearing

SiC/SiC mechanical seal for bearing housing with two tapered roller bearings to absorb axial forces
Shaft of hardened steel
Bearing flange with isolated oil circuit filled with longlife oil
POM protective sleeve

Ex-Zone

Authorized for Ex-Zone 2

Propeller

3-blade high efficiency propeller, dynamically balanced

Optimix 2G | 20.0 hp | 460 rpm | propeller HD+ 580

material: hardened steel

optional materials: stainless 316, hardened steel, polymer coated, Tungsten carbide or galvanized

Guiding unit

4 roller guide bracket for 4" x 4" or 6" x 6" stainless mast

Corrosion protection

Ductile cast iron housing (GGG40)

Agitator has a two component epoxy coating

Agitator is galvanically isolated from the guide mast

Electric Cable

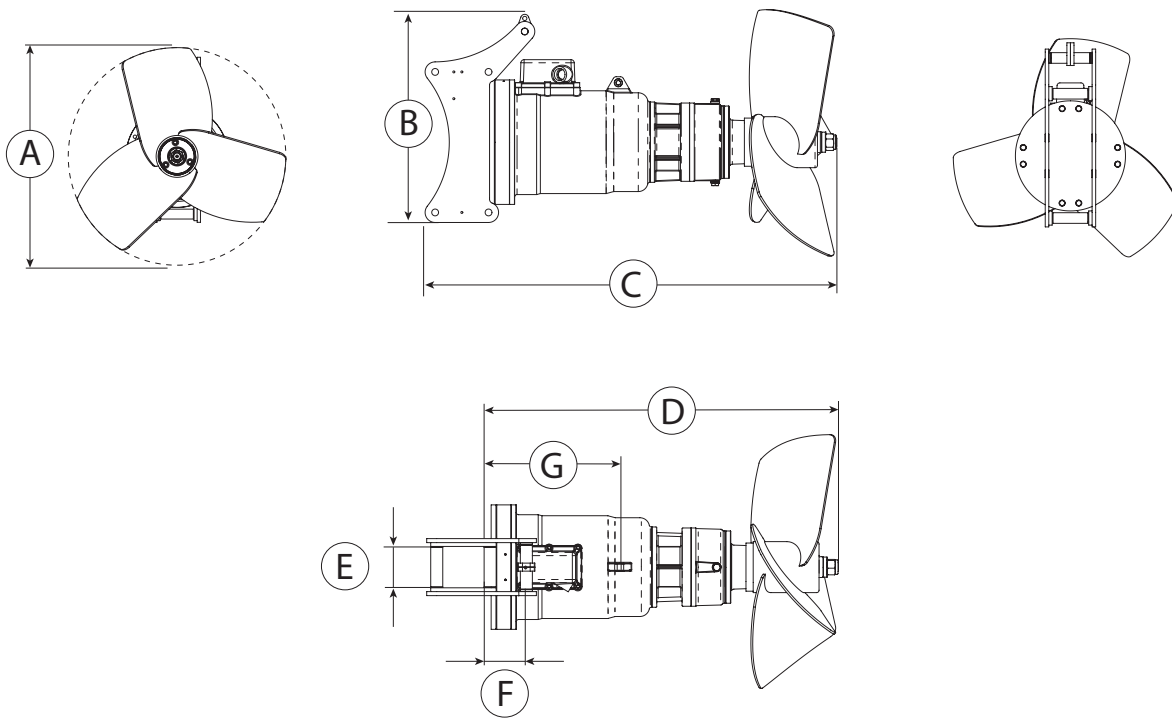
Standard length is 33', other lengths upon request

Microbe resistant jacket

Maximum load 180 lbs

Controls (optional)

Star-delta switch, soft start or frequency converter



Dimensions

Type	A Ø [in]	B [in]	C [in]	D [in]	E [in]	F [in]	G [in]				
2G 150-460	22.9	20.5	43.3	35.4	4 / 6	4.1	13.2				

Technical data

Type	Rated Power [hp]	Frequency [Hz]	Gear reduction ratio	Propeller speed [rpm]	Propeller diameter [in]	Axial force [lbf]	Flow velocity [ft/s] *	Pumping rate [gal/min]	Weight approx. [lbs]		
2G 150-460	20	60	3.83	460	22.9	674	14.1	17,171	367		

Subject to change without notice
 * measured in water and 3.94 ft distance

2019-11

© SUMA America Inc. | 2700 Patriot Blvd Suite 250 | Glenview, IL 60026
 Tel: (312) 945 9049 | Email: sales@gosuma.com | www.gosuma.com