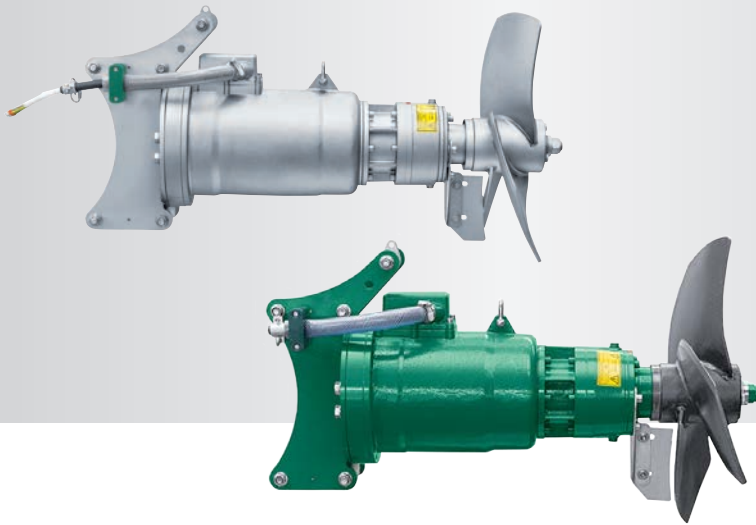




OPTIMIX 2A / 2G

90-330

90-460



Application

Submersible motor for liquids tanks with dry matter content up to 12 % and substrate temperatures up to 132 F

pH levels depending on material of housing:

2G	cast iron:	pH 6.5 - 8.2
2A	stainless 304:	pH 5.5 - 8.2
	stainless 316:	pH 5.2 - 8.2

Motor

Motor: 12 hp, 60Hz

Protection class IP 68, up to 33' submergence

Overheat protection

Isolated oil circuit, turbine oil

Gear

Robust planetary gear,

reduction ratio $i = 3.83 / 5.25$

Isolated oil circuit, Longlife gear oil

Extended intervals (10,000 h) between oil changes

Bearing

SiC/SiC mechanical seal for bearing housing with two tapered roller bearings to absorb axial forces

Drive head with own isolated circuit

Longlife Gear oil

POM protective sleeve

Ex-Zone

Authorized for Ex-Zone 2

Propeller

3-blade high efficiency propeller, dynamically balanced

12 hp	330 rpm	propeller HD+640
12 hp	460 rpm	propeller HD+500

2G material: hardened steel

2A material: stainless 304

optional materials: stainless 316, hardened steel, polymer coated, Tungsten carbide or galvanized

Guiding unit

4 roller guide bracket for 4" x 4" or 6" x 6" stainless mast

Corrosion protection

Ductile cast iron housing (GGG40) (G-series), stainless 304 or 316 (A-series)

Agitator has a two component epoxy coating (G-series)

Agitator is galvanically isolated from the guide mast

Electric Cable

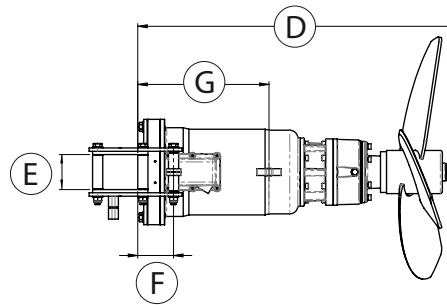
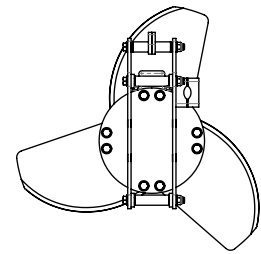
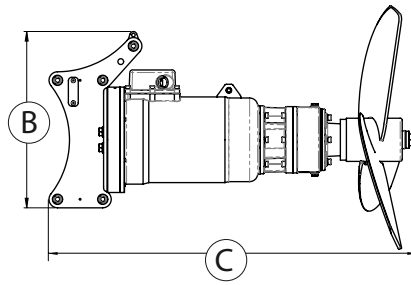
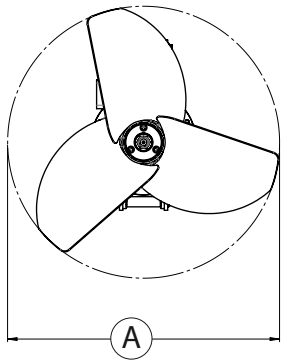
Standard length is 33', other lengths upon request

Microbe resistant jacket

Maximum load 180 lbs

Controls (optional)

Star-delta switch, soft start or frequency converter



Dimensions

Type	A Ø [in]	B [in]	C [in]	D [in]	E [in]	F [in]	G [in]
2A/2G 90-330	25.2	20.5	42.7	34.8	4 / 6	4.13	11.8
2A/2G 90-460	19.7	20.5	41.3	33.5	4 / 6	4.13	11.8

Technical data

Type	Rated Power [hp]	Frequency [Hz]	Gear reduction ratio	Propeller speed [rpm]	Propeller diameter [in]	Axial force [lbf]	Flow velocity [ft/s] *	Pumping rate [gal/min]	Weight approx. [lbs]
2A/2G 90-330	12	60	5.25	330	25.2	472	10.8	16,378	374
2A/2G 90-460	12	60	3.83	460	19.7	427	10.2	8,981	374

Subject to change without notice

* measured in water and 3.94 ft distance