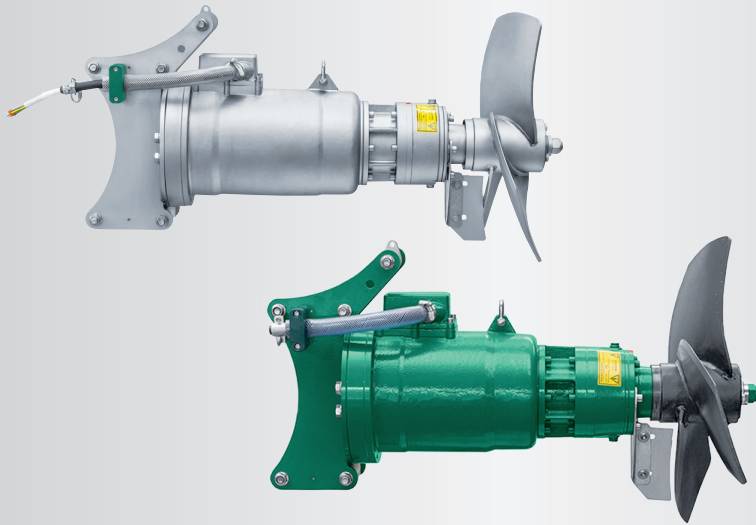




OPTIMIX 2A / 2G

90-330

90-460



Application

Submersible motor for liquids tanks with dry matter content up to 12 % and substrate temperatures up to 132 F

pH levels depending on material of housing:

cast iron:	pH 6.5 - 8.2
stainless 304:	pH 5.5 - 8.2
stainless 316:	pH 5.2 - 8.2

Motor

Motor: 12 hp, 60Hz

Protection class IP 68, up to 33' submergence

Overheat protection

Isolated oil circuit, turbine oil

Gear

Robust planetary gear,

reduction ratio $i = 3.83 / 5.25$

Isolated oil circuit, Longlife gear oil

Extended intervals (10,000 h) between oil changes

Bearing

SiC/SiC mechanical seal for bearing housing with two tapered roller bearings to absorb axial forces

Drive head with own isolated circuit

Longlife Gear oil

POM protective sleeve

Ex-Zone

Authorized for Ex-Zone 2

Propeller

3-blade high efficiency propeller, dynamically balanced

12 hp	330 rpm	propeller HD+640
12 hp	460 rpm	propeller HD+500

2G: standard material hardened steel

2A: standard material stainless 304

optional materials: stainless 316, hardened steel, polymer coated, Tungsten carbide or galvanized

Guiding unit

4 roller guide bracket for 4" x 4" or 6" x 6" stainless mast

Corrosion protection

Ductile cast iron housing (GGG40) (G-series), stainless 304 or 316 (A-series)

Agitator has a two component epoxy coating

Agitator is galvanically isolated from the guide mast

Electric Cable

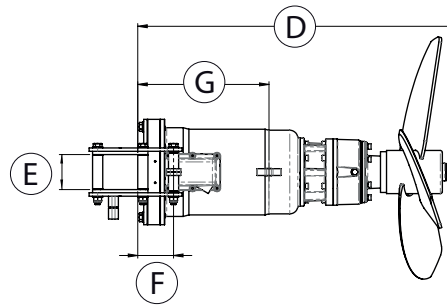
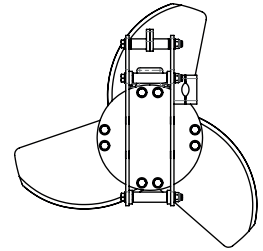
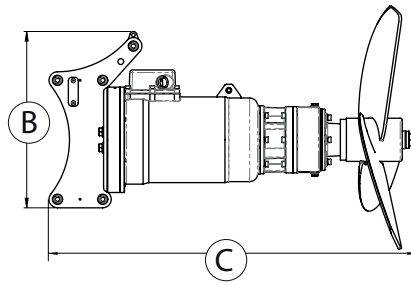
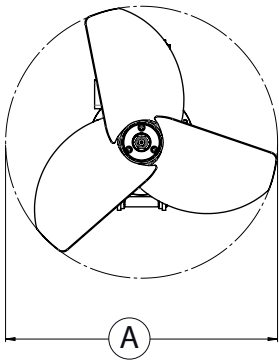
Standard length is 33', other lengths upon request

Microbe resistant jacket

Maximum load 180 lbs

Controls (optional)

Star-delta switch, soft start or frequency converter



Dimensions

Type	A \varnothing [in]	B [in]	C [in]	D [in]	E [in]	F [in]	G [in]
2A 90-330	25.2	20.5	42.7	34.8	4 / 6	4.13	11.8
2A 90-460	19.7	20.5	41.3	33.5	4 / 6	4.13	11.8

Technical data

Type	Rated Power [hp]	Frequency [Hz]	Gear reduction ratio	Propeller speed [rpm]	Propeller diameter [in]	Axial force [lbf]	Flow velocity [ft/s] *	Pumping rate [gal/min]	Weight approx. [lbs]
2A 90-330	12	60	5.25	330	25.2	472	10.8	16,378	374
2A 90-460	12	60	3.83	460	19.7	427	10.2	8,981	374

Subject to change without notice

* measured in water and 3.94 ft distance