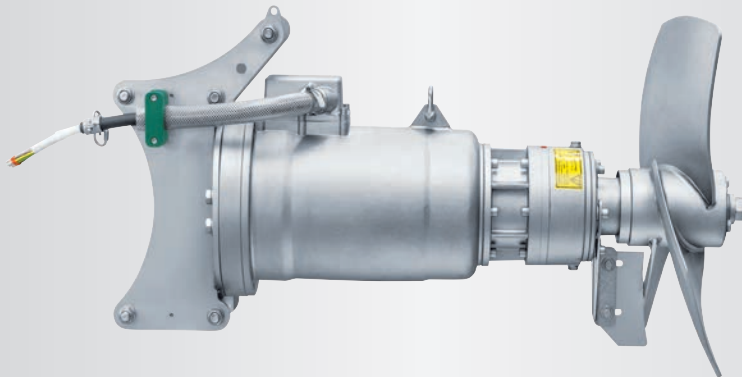




## OPTIMIX

2A 150-330

2A 150-460



### Application

Submersible motor for ex-zone 2 or aggressive media with low pH-values, dry matter content up to 12 % and substrate temperature up to 52°C

pH levels depending on material of housing:

stainless 304: pH 5.5 - 8.2

stainless 316: pH 4.5 - 8.2

### Motor

Motor: 20 hp, 60Hz

Protection class IP 68, up to 33 ft submergence

Overheat protection

Isolated oil chamber, turbine oil

### Gear

Flange mounted planetary gear

Reduction ratio  $i = 5.25$  or  $3.83$

Isolated oil circuit with longlife gear oil

8,000 operating hours (2A 150-330) and 4,000 operating hours between oil changes (2A 150-460)

### Bearing

SiC/SiC mechanical seal for bearing housing with two tapered roller bearings to absorb axial forces

Shaft in hardened steel

Isolated oil chamber, longlife gear oil

POM protective sleeve

### Corrosion protection

Guiding unit in stainless 304

Optional completely manufactured in stainless 316

### Propeller

3-blade propeller, dynamically balanced

Optimix 2A | 18 hp | 330 rpm | propeller HD+750

Optimix 2A | 18 hp | 460 rpm | propeller HD+580

stainless 304

optional materials: stainless 316, hardened steel, polymer coated, Tungsten carbide or galvanized

### Guide mast connection

4 roller guide bracket for 4" x 4" or 6" x 6" stainless mast

### Electric Cable

Standard length is 33', other lengths upon request

Microbe resistant jacket

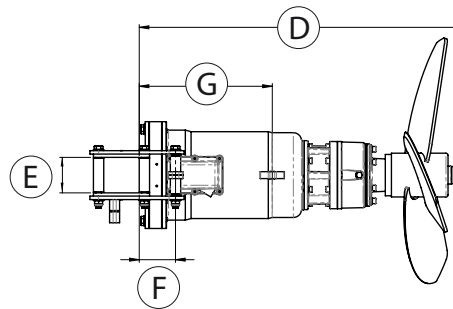
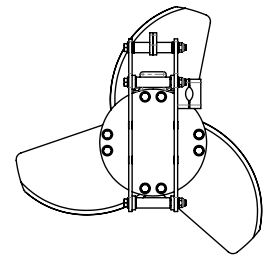
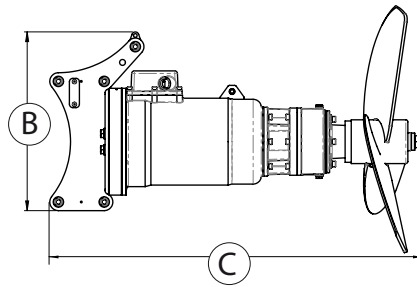
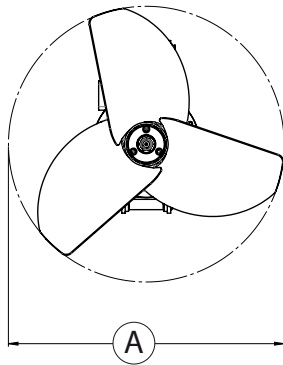
Maximum load 180 lbs

### Ex zone

Authorized for Ex-Zone 2

### Controls (optional)

Soft start or frequency converter



## Dimensions

Type	A [∅ in in]	B [in]	C [in]	D [in]	E [in]	F [in]	G [in]		
2A 150-330	29.5	20.47	47	39.2	4/6	4.13	15.16		
2A 150-460	22.9	20.47	45.67	37.8	4/6	4.13	15.16		

## Technical data

Type	Rated Power [hp]	Frequency [Hz]	Gear reduction ratio	Propeller speed [rpm]	Propeller diameter [in]	Axial force [lbf]	Flow velocity [ft/s] *	Pumping rate [gal/min]	Weight approx. [lbs]
2A 150-330	20	60	5.25	330	29.5	697	12.0	24,832	418
2A 150-460	20	60	3.83	460	22.9	674	14.1	17,171	418

Subject to change without notice

\* measured in water and 3.93 ft distance

2020-08

© SUMA America Inc. | 2700 Patriot Blvd Suite 250 | Glenview, IL 60026

Tel: (312) 945 9049 | E-mail: sales@gosuma.com | www.gosuma.com