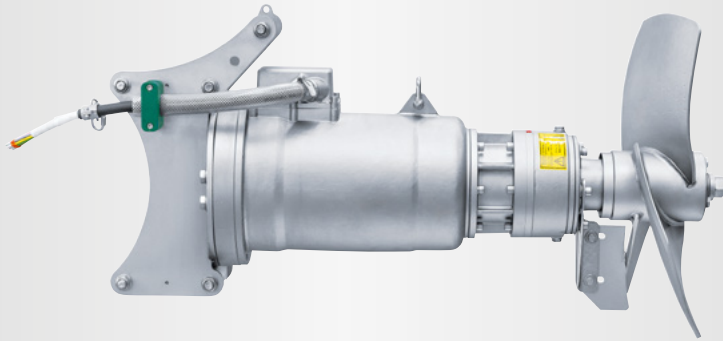




OPTIMIX 2A

40-220

40-305



Application

Submersible motor
Dry matter content up to 12 %
Substrate temperature up to 131 F
pH-value 5.5 - 8.2 / optional pH-value ss316 .5 - 8.2

Propeller

3-blade high efficiency propeller, dynamically balanced

5.5 hp	220 rpm	propeller HD+ 640
5.5 hp	305 rpm	propeller HD+ 540

ss304, hardened ss304 or ss316

Motor

Motor: 5.5 hp, 60Hz
Protection class IP 68, up to 33 ft submergence
PTC thermistors for thermal protection
Separate oil chamber, turbine oil

Guide mast connection

Guide mast support with 4 rollers for smooth height adjustment:
3.2 / 3.9 / 4.7 in square mast
Special sizes on request

Gear

Flange mounted planetary gear
Reduction ratio $i=3.83 / 5.25$
Separate oil chamber, longlife gear oil
Change oil after 10,000 operating hours

Corrosion protection

Housing and guiding unit in ss304
Optional completely manufactured in ss316

Bearing

Bearing flange with mechanical seal SiC / SiC
2 tapered roller bearings to absorb the axial forces
Shaft in hardened steel
Separate oil chamber, longlife gear oil
Accessory: POM protection to minimize abrasion

Electric Cable

Pressed cable gland, cable standard length 33 ft
Cable $7 \times 4 + 4 \times 1 \text{ mm}^2$, $\varnothing 0.8$ in shielded
Resistant against biomass microbes
Strain relief 180 lbf

Ex-Zone

Authorized for Ex-Zone 2

Controls

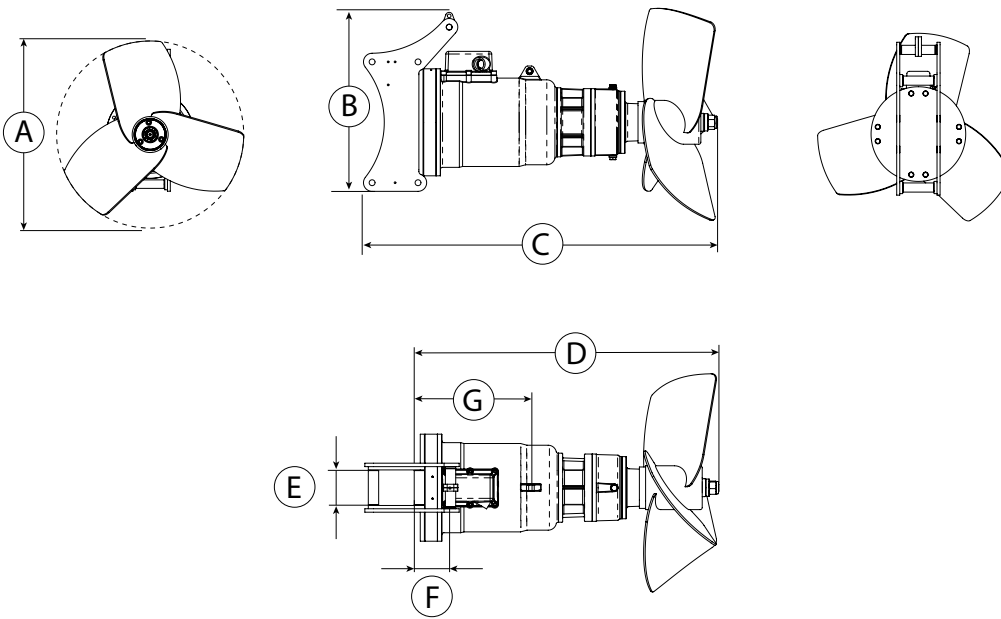
Star delta switch, soft start or frequency converter



OPTIMIX 2A

40-220

40-305



Dimensions

Type	A Ø [in]	B [in]	C [in]	D [in]	E [in]	F [in]	G [in]		
2A 40-220	25.2	20.5	42.7	35.0	3.2 / 3.9 / 4.7	4.1	12.0		
2A 40-305	21.3	20.5	41.3	33.7	3.2 / 3.9 / 4.7	4.1	12.0		

Technical data

Type	Rated Power [hp]	Frequency [Hz]	Gear reduction ratio	Propeller speed [rpm]	Propeller diameter [in]	Axial force [lbf]	Flow velocity [ft/s] *	Pumping rate [gal/min]	Weight approx. [lbs]
2A 40-220	5.5	60	5.25	220	25.2	225	7.5	11,360	374
2A 40-305	5.5	60	3.83	305	21.3	225	7.9	8,189	374

Subject to change without notice

* measured in water and 3.94 ft distance