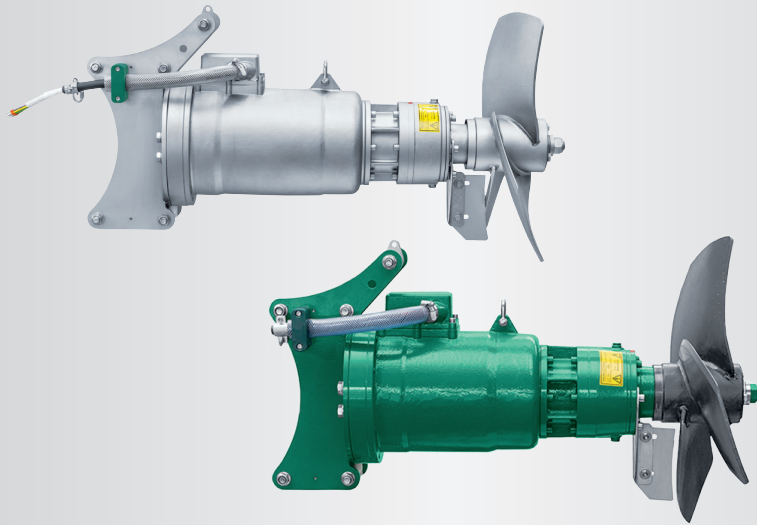




OPTIMIX 2A / 2G

40-220

40-305



Application

Submersible motor for liquids tanks with dry matter content up to 12 % and substrate temperatures up to 132 F

pH levels depending on material of housing:

cast iron:	pH 6.5 - 8.2
stainless 304:	pH 5.5 - 8.2
stainless 316:	pH 5.2 - 8.2

Motor

Motor: 5 hp, 60Hz

Protection class IP 68, up to 33' submergence

Overheat protection

Own oil circuit, turbine oil

Gear

Isolated oil circuit for synthetic oil

Extended intervals (10,000 h) between oil changes

Bearing

SiC/SiC mechanical seal for bearing housing with two tapered roller bearings to absorb axial forces

Shaft in hardened steel

Bearing flange with isolated oil circuit filled with longlife gear oil

POM protective sleeve

Ex-Zone

Authorized for Ex-Zone 2

Propeller

3-blade high efficiency propeller, dynamically balanced

5 hp	220 rpm	propeller HD+ 640
5 hp	305 rpm	propeller HD+ 540

2G: standard material hardened steel

2A: standard material stainless 304

optional materials: stainless 316, hardened steel, polymer coated, Tungsten carbide or galvanized

Guide mast connection

4 roller guide bracket for 4" x 4" or 6" x 6" stainless mast

Corrosion protection

Ductile cast iron housing (GGG40) (G-series), stainless 304 or 316 (A-series)

Agitator has a two component epoxy coating

Agitator is galvanically isolated from the guide mast

Electric Cable

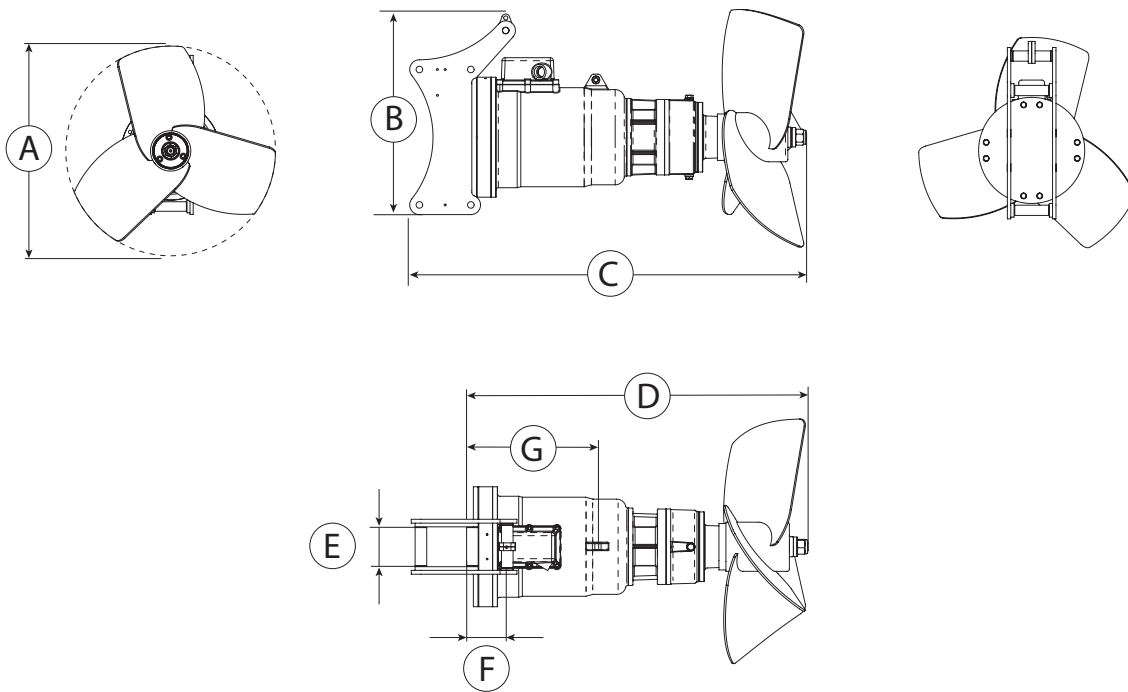
Standard length is 33', other lengths upon request

Microbe resistant jacket

Maximum load 180 lbs

Controls (optional)

soft start or frequency converter



Dimensions

Type	A Ø [in]	B [in]	C [in]	D [in]	E [in]	F [in]	G [in]		
2G 40-220	25.0	20.5	42.7	35.0	4/6	4.1	12.0		
2G 40-305	21.3	20.5	41.3	33.7	4/6	4.1	12.0		

Technical data

Type	Rated Power [hp]	Frequency [Hz]	Gear reduction ratio	Propeller speed [rpm]	Propeller diameter [in]	Axial force [lbf]	Flow velocity [ft/s] *	Pumping rate [gal/min]	Weight approx. [lbs]
2G 40-220	5.4	60	5.25	220	25.0	225	7.5	11,623	374
2G 40-305	5.4	60	3.83	305	21.3	225	7.9	8,453	374

Subject to change without notice
 * measured in water and 3.94 ft distance