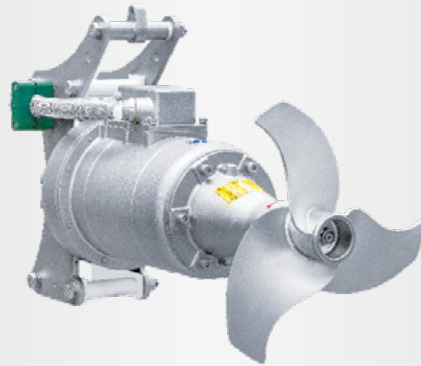


OPTIMIX 2A

30-870

40-1150



Application

Submersible motor
 Dry matter content up to 8 %
 Substrate temperature up to 131 F
 pH-value 5.5-8.2 / optional ss316: pH-value 4.5-8.2

Propeller

3-blade high efficiency propeller, dynamically balanced

Optimix 2A	4.0 hp	870 rpm	propeller LD 310
Optimix 2A	5.5 hp	1,150 rpm	propeller LD 215

galvanized, hardened steel, ss304 or hardened ss304

Motor

Motor power: 4.0 / 5.5 hp
 Protection class IP 68, up to 33 ft submergence
 PTC thermistors for overheat protection
 Own oil circulation, turbine oil

Guiding unit

Guide mast support with 4 rollers for smooth height adjustment:
 3.2 / 3.9 / 4.7 in square mast
 Special sizes on request

Bearing

Bearing flange with mechanical seal of SiC/SiC
 Two tapered roller bearings to absorb the axial forces
 Shaft of ss304 / optional ss316
 Bearing flange with separate oil chamber, Longlife Oil

Corrosion protection

Guiding unit of ss304
 Optional completely of ss316

Ex zone (tube and gear)

Authorized for Ex-Zone 2

Electric cable

Standard length 33 ft, with pressed-on cable gland
 Cable 4 x 2,5 + 2 x 1 mm², Ø 0.8 in
 Microbe resistant
 Strain relief 180 lbf

Controls

Soft start or frequency converter
 Direct start*

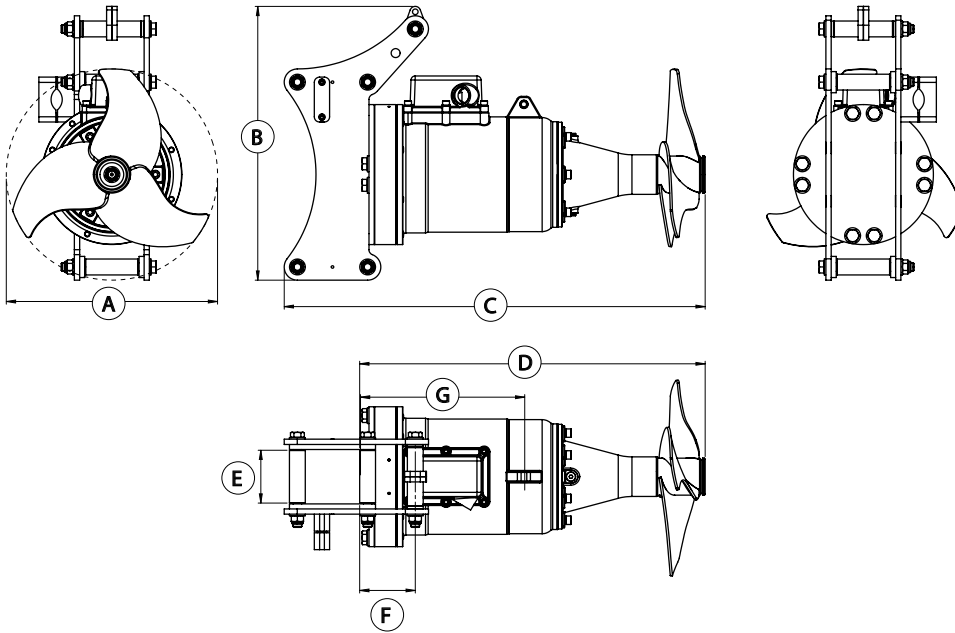
*Only after consultation and approval!



OPTIMIX 2A

30-870

40-1150



Dimensions								
Type	A Ø [in]	B [in]	C [in]	D [in]	E [in]	F [in]	G [in]	
2A 30-870	12.2	20.5	31.5	25.6	3.2 / 3.9 / 4.7	4.1	12.2	
2A 40-1150	8.5	20.5	31.5	25.6	3.2 / 3.9 / 4.7	4.1	12.2	

Technical data								
Type	Rated Power [hp]	Frequency [Hz]	Propeller speed [rpm]	Propeller diameter [in]	Axial force [lbf]	Flow velocity [ft/s] *	Pumping rate [gal/min]	Weight approx. [lbs]
2A 30-870	4.0	60	870	12.2	146.1	9.2	3,170	330
2A 40-1150	5.5	60	1,150	8.5	87.7	8.9	1,320	330

Subject to change without notice
 * measured in water and 3.94 ft distance

As per: 2024-05

© SUMA America Inc. | 2700 Patriot Blvd Suite 400 | Glenview, IL 60026
 Phone: 312.912.1961 | Email: info@gosuma.com | www.gosuma.com

AGRICULTURE

BIOGAS

INDUSTRY