



OPTIMIX 2G 90-90



Application

Submersible motor for liquids tanks with dry matter content up to 12 % and substrate temperatures up to 132 F
pH-value 6.5 - 8.2

Motor

Motor: 12 hp, 60Hz
Protection class IP 68, up to 33 ft submergence
Overheat protection
Isolated oil circuit, turbine oil

Gear /

Robust, two stage planetary gear
Reduction ration $i = 19.6$
Isolated oil circuit with long life oil
12,000 operation hours between oil changes

Bearing

SiC/SiC mechanical seal for bearing housing with two tapered roller bearings to absorb axial forces
Isolated oil circuit with long life oil
12,000 operation hours between oil changes

Ex-zone

Authorized for Ex-Zone 2

Propeller

3-blade high efficiency propeller, dynamically balanced
Optimix 2G 90-90 | 12 hp | LT 1400-G6 | 90 rpm
Standard painted, optional hardened steel

Guiding unit

4 roller guide bracket for 4" x 4" or 6" x 6" stainless mast

Corrosion protection

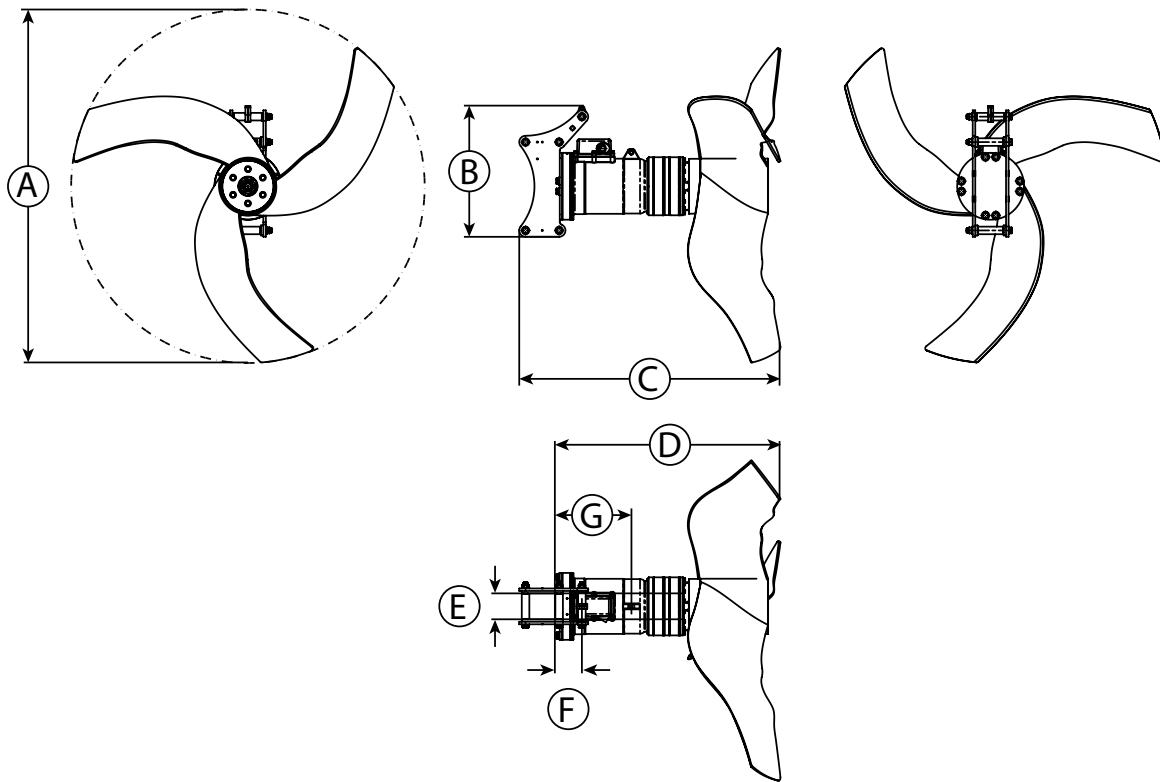
Ductile cast iron housing (GGG40)
Agitator has a two component epoxy coating
Agitator is galvanically isolated from the guide mast

Electric Cable

Standard length is 33', other lengths upon request
Microbe resistant jacket
Maximum load 180 lbs

Controls

Soft start or frequency converter



Dimensions

Type	A Ø [in]	B [in]	C [in]	D [in]	E [in]	F [in]	G [in]				
2G 90-90	55	20.5	47	39	4 / 6	4	12				

Technical data

Type	Rated Power [hp]	Frequency [Hz]	Gear reduction ratio	Propeller speed [rpm]	Propeller diameter [in]	Axial force [lbf]	Flow velocity [ft/s] *	Pumping rate [gal/min]	Weight approx. [lbs]			
2G 90-90	12	60	19.6	90	55	8,093	7.2	48,607	440			

Subject to technical changes

* measured in water and 3.94 ft distance