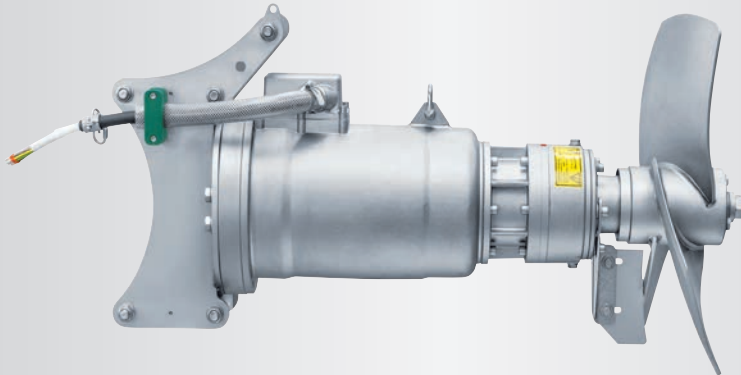




OPTIMIX

2A 135-330

2A 135-460



Application

Submersible motor for ex-zone 1 or aggressive media with low pH-values, dry matter content up to 12 % and substrate temperature up to 52°C

pH levels depending on material of housing:

stainless 304: pH 5.5 - 8.2

stainless 316: pH 4.5 - 8.2

Motor

Motor: 18 hp, 60Hz

Protection class IP 68, up to 33 ft submergence

Overheat protection

Isolated oil chamber, turbine oil

Gear

Flange mounted planetary gear

Reduction ratio $i = 5.25$ or 3.83

Isolated oil circuit with longlife gear oil

4,000 operating hours between oil changes

Bearing

SiC/SiC mechanical seal for bearing housing with two tapered roller bearings to absorb axial forces

Shaft in hardened steel

Isolated oil chamber, longlife gear oil

POM protective sleeve

Corrosion protection

Housing and guiding unit in stainless 304

Optional completely manufactured in stainless 316

Propeller

3-blade propeller, dynamically balanced

Optimix 2A | 18 hp | 330 rpm | propeller HD+700

Optimix 2A | 18 hp | 460 rpm | propeller HD+540

stainless 304

optional materials: stainless 316, hardened steel, polymer coated, Tungsten carbide or galvanized

Guide mast connection

4 roller guide bracket for 4" x 4" or 6" x 6" stainless mast

Electric Cable

Standard length is 33', other lengths upon request

Microbe resistant jacket

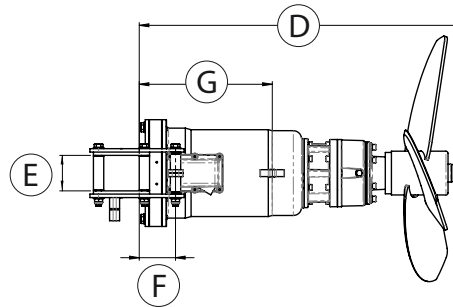
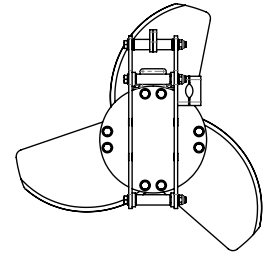
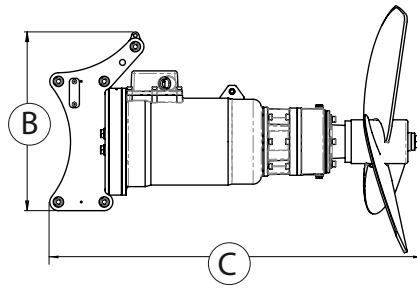
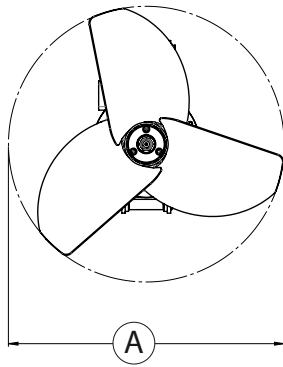
Maximum load 180 lbs

Ex zone

Authorized for Ex-Zone 1

Controls (optional)

Soft start or frequency converter



Dimensions

Type	A [Ø in in]	B [in]	C [in]	D [in]	E [in]	F [in]	G [in]
2A 135-330	31.5	20.47	47	39.2	4 / 6	4.13	15.16
2A 135-460	24.4	20.47	45.67	37.8	4 / 6	4.13	15.16

Technical data

Type	Rated Power [hp]	Frequency [Hz]	Gear reduction ratio	Propeller speed [rpm]	Propeller diameter [in]	Axial force [lbf]	Flow velocity [ft/s] *	Pumping rate [gal/min]	Weight approx. [lbs]
2A 135-330	18	60	5.25	280	31.5	618	10.5	24,568	418
2A 135-460	18	60	3.83	380	24.4	517	23	16,907	418

Subject to change without notice

* measured in water and 3.93 ft distance