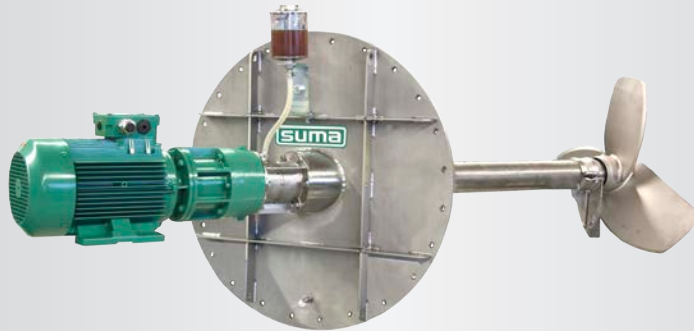


GIANTMIX FR LIGHT




Application

Light weight mixer with small sized rod lengths 3' to 5'
 Mounted to side of tank with options for fixed or adjustable operations
 Ideal for small to midsized tanks, dry matter content up to 12%
 POM protective sleeve
 Substrate temperature up to 160 F
 pH-values 6.5 - 8.2

Technical Data

Sealing plate DN 700 (Ø 33.9 in), other dimensions on request
 Sealing plate with other angle of inclination on request
 Sound pressure 75 dB(A)
 Oil equalizing container for monitoring the tightness

Motor

5.5 hp (6-poles - 1,160 rpm) / 10.0 hp (1,750 rpm), 60 Hz
 Overheat protection
 Ex-Motor  II 3G Ex nA IIA T3 Gc (Ex-Zone 2)

Gear

Planetary gear
 Reduction ratio $i = 3.83$ or 5.25
 Isolated oil circuit, gear oil Blasias SX 320
 10,000 operation hours between oil changes

Bearing

SiC/SiC mechanical seal for bearing housing with two tapered roller bearings to absorb axial forces
 Stabilizing bearings for the drive shaft (slide bearings)



Propeller

3-bladed, dynamically balanced propeller

FR 40-220	5.4 hp	220 rpm	propeller HD+ 640
FR 40-305	5.4 hp	305 rpm	propeller HD+ 540
FR 75-330	10.0 hp	330 rpm	propeller HD+ 620
FR 75-460	10.0 hp	460 rpm	propeller HD+ 480

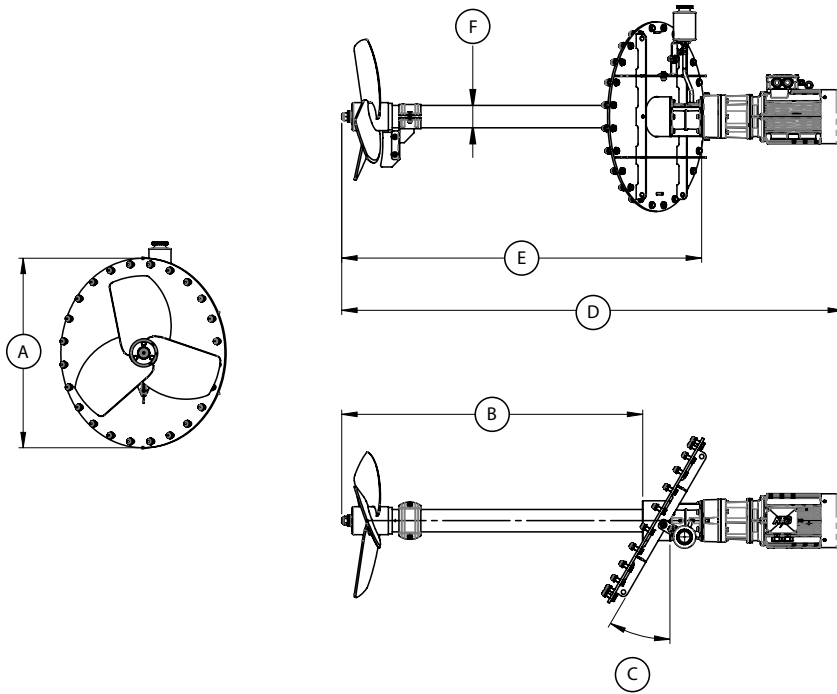
ss304, optional galvanized or hardened steel

Ex-Zone

Ex-zone 2 (outside the tank)
 and zone 1 (inside the tank)
 Classification mechanical components
  II 2G h IIA T3 Gb

Controls (optional)

Star-delta switch, soft start or frequency converter
 Delivery without connecting cable



Dimensions						
Type	A [in]	B [in]	C	D [in]	E [in]	F Ø [in]
FR 40-220 FR 40-305 FR 75-330 FR 75-460	33.9	34.4 / 54.1	0° / 10° / 20° / 30°	70.1 / 89.8	44.7 / 64.4	4.0

Technical data											
Type	Rated power [hp]	Frequency [Hz]	Gear reduction ratio	Propeller speed [rpm]	Propeller diameter [in]	Axial force [lbf]	Flow velocity [ft/s]	Pumping rate Water [gal/min]*	Weight approximate [lbs]		
FR 40-220	5.4	60	5.25	220	25.2	224	7.5	11,623	507		
FR 40-305	5.4	60	3.83	305	21.3	224	7.9	8,453	507		
FR 75-330	10.0	60	5.25	330	24.4	404	10.2	14,265	507		
FR 75-460	10.0	60	3.83	460	18.9	382	9.8	7,925	507		

Subject to change without notice
 * measured in water at 3.94 distance