

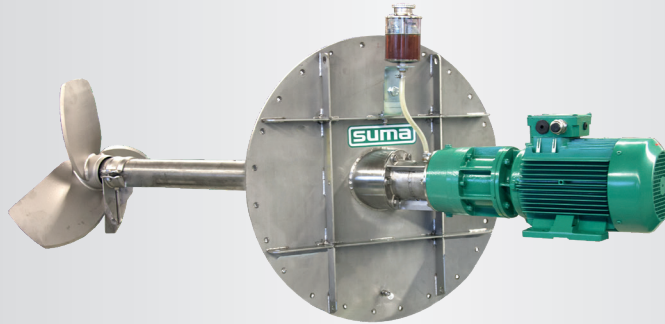
GIANTMIX FR LIGHT

FR 40-220

FR 40-305

FR 75-330

FR 75-460



Application

Long-axis agitator for small steel- or concrete tanks
 Dry matter content up to 12%
 Substrate temperature up to 70°C
 pH-values 6.5 - 8.2

Technical Data

Tube length 3.3 ft / 4.9 ft
 Sealing plate DN 700 (Ø 33.9 in),
 other dimensions on request
 Sealing plate with other angle of inclination on request
 Sound pressure 75 dB(A)
 Oil equalizing container for monitoring the tightness
Accessory: POM protection to minimize abrasion

Motor

Power: 5.4 hp (6-poles - 1,160 rpm) / 10.0 hp (1,750 rpm)
 60 Hz
 PTC thermistors 160°C (overheat protection)
 Ex-Motor II 3G Ex nA IIA T3 Gc (Ex-Zone 2)

Gear

Planetary gear
 Reduction ratio $i = 3.83$ or 5.25
 Own oil chamber, gear oil SAE 85W-140 / API GL-5
 Oil change interval all 2,000 operation hours

Tube

Tube Ø 4 x 0.23 in in ss304 or ss316 on request
 Plug shaft Ø 2 in with intermediate bearings and both sided-
 plug-connections

Propeller

3-bladed, dynamically balanced propeller

FR 40-220	5.4 hp	propeller HD+ 640	220 rpm
FR 40-305	5.4 hp	propeller HD+ 540	305 rpm
FR 75-330	10.0 hp	propeller HD+ 620	330 rpm
FR 75-460	10.0 hp	propeller HD+ 480	460 rpm

ss304, optional galvanized or hardened steel

Bearing

2 tapered roller bearings to absorb the axial forces
 Mechanical seal SiC/SiC, independent of rotation direction
 Interim bearings in drive shaft

Ex-Zone

Ex-zone 2 (outside the tank)
 and zone 1 (inside the tank)
 Classification mechanical components
 II 2G ck IIA T3

Control Switch (optional)

Star-delta switch, soft start or frequency converter
 Delivery without connecting cable



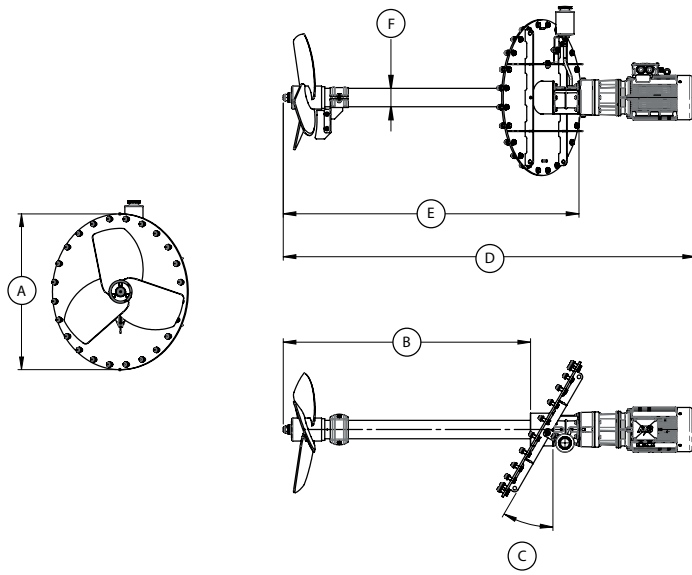
GIANTMIX FR LIGHT

FR 40-220

FR 40-305

FR 75-330

FR 75-460



Dimensions

Type	A [in]	B [in]	C	D [in]	E [in]	F [Ø in in]
FR 40-220 FR 40-305 FR 75-330 FR 75-460	33.9	34.4 / 54.1	0° / 10° / 20° / 30°	70.1 / 89.8	44.7 / 64.4	4.0

Technical data

Type	Rated power [hp]	Frequency [Hz]	Gear reduction ratio	Propeller speed [rpm]	Propeller diameter [in]	Axial force [lbf]	Flow velocity [ft/s]	Pumping rate Water [gal/min]*	Weight approximate [lbs]
FR 40-220	5.4	60	5.25	220	25.2	224	7.5	11,623	507
FR 40-305	5.4	60	3.83	305	21.3	224	7.9	8,453	507
FR 75-330	10.0	60	5.25	330	24.4	404	10.2	14,265	507
FR 75-460	10.0	60	3.83	460	18.9	382	9.8	7,925	507

Subject to technical changes
* measured in water and 3.94 distance

As per: 2018-07

© SUMA America Inc. | 2700 Patriot Blvd Suite 250 | Glenview, IL 60026
Tel: (312) 945 9049 | E-mail: sales@gosuma.com | www.gosuma.com