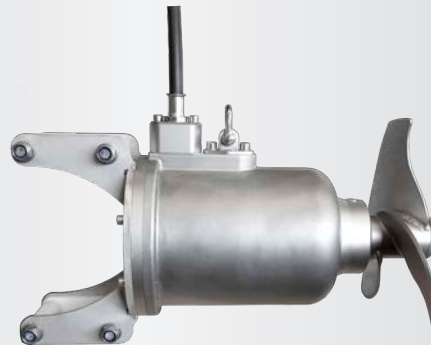


OPTIMIX

2A 8-880

2A 15-880

2A 22-880



Application

Submersible motor
 Dry matter content up to 4 %
 Substrate temperature up to 131 F
 pH-value 5.5 - 8.2

Motor

Motor power: 1.0 / 2.0 / 3.0 hp, 8-poles, 60 Hz
 Protection class IP 68, up to 33' submergence
 Overheat protection
 Own oil circulation, turbine oil

Bearing

Bearing flange with mechanical seal of SiC/SiC
 Shaft of ss304
 Bearing flange with separate oil chamber
 Longlife oil
Accessory: POM protection to minimize abrasion

Ex zone

Authorized for Ex-Zone 2
 ATEX Classification **CE** II 3G Ex ec h IIA T3 Gc

Propeller

3-blade high efficiency propeller, dynamically balanced, self-cleaning

Optimix 2A	1.0 hp	propeller LD 220	880 rpm
Optimix 2A	2.0 hp	propeller LD 250	880 rpm
Optimix 2A	3.0 hp	propeller LD 280	880 rpm

ss304, hardened ss304 or ss316

Guide mast connection

Guide mast support with 4 rollers for smooth height adjustment:
 2" | 3" square mast
 Special sizes on request

Corrosion protection

Guiding unit of ss304

Electric cable

Standard length 33' with pressed-on cable gland
 Microbe resistant jacket
 Strain relief 180 lbs

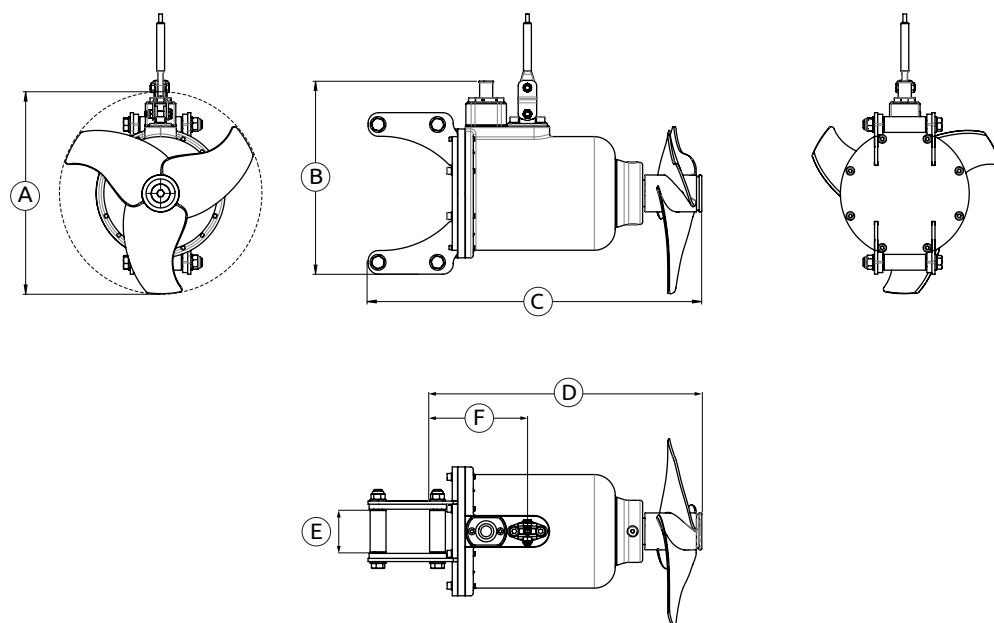


OPTIMIX

2A 8-880

2A 15-880

2A 22-880



Dimensions

Type	A [∅ in]	B [in]	C [in]	D [in]	E [in]	F [in]				
2A 8-880	8.6	14.6	25.0	19.9	2.4 / 3.1	7.7				
2A 15-880	9.8	14.6	25.0	19.9	2.4 / 3.1	7.7				
2A 22-880	11.0	14.6	25.0	19.9	2.4 / 3.1	7.7				

Technical data

Type	Rated Power [hp]	Frequency [Hz]	Propeller speed [rpm]	Propeller diameter [in]	Axial force [lbf]	Flow velocity [ft/s] *	Pumping rate [gal/min]	Weight approx. [lbs]			
2A 8-880	1.0	60	880	8.7	45	2.4	5	165			
2A 15-880	2.0	60	880	9.8	76	2.6	7	165			
2A 22-880	3.0	60	880	11.0	110	2.9	10	165			

Subject to technical changes

* measured in water and 1.2 m distance

© SUMA America Inc. | 2700 Patriot Blvd Suite 250 | Glenview, IL 60026

Tel: (312) 945 9049 | Email: sales@gosuma.com | www.gosuma.com