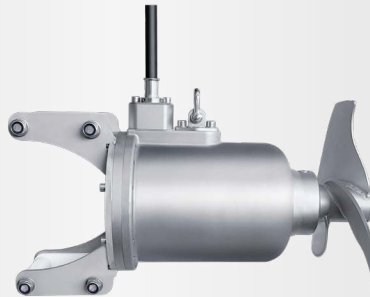


## OPTIMIX

**2A 8-880**

**2A 15-880**

**2A 22-880**



### Application

Submersible motor  
 Dry matter content up to 4 %  
 Substrate temperature up to 131 F  
 pH-value 5.5 - 8.2

### Motor

Motor power: 1.0 / 2.0 / 3.0 hp, 8-poles, 60 Hz  
 Protection class IP 68, up to 33 ft submergence  
 PTC thermistors for overheat protection  
 High efficiency class  
 Own oil circulation, turbine oil

### Bearing

Bearing flange with mechanical seal of SiC/SiC  
 Shaft of ss304  
 Bearing flange with separate oil chamber  
 Longlife oil  
Accessory: POM protection to minimize abrasion

### Ex zone

Authorized for Ex-Zone 2  
 ATEX Classification **CE**  II 3G Ex ec h IIA T3 Gc

### Propeller

3-blade high efficiency propeller, dynamically balanced, self-cleaning

Optimix 2A	1.0 hp	propeller LD 220	880 rpm
Optimix 2A	2.0 hp	propeller LD 250	880 rpm
Optimix 2A	3.0 hp	propeller LD 280	880 rpm

ss304, hardened ss304 or ss316

### Guide mast connection

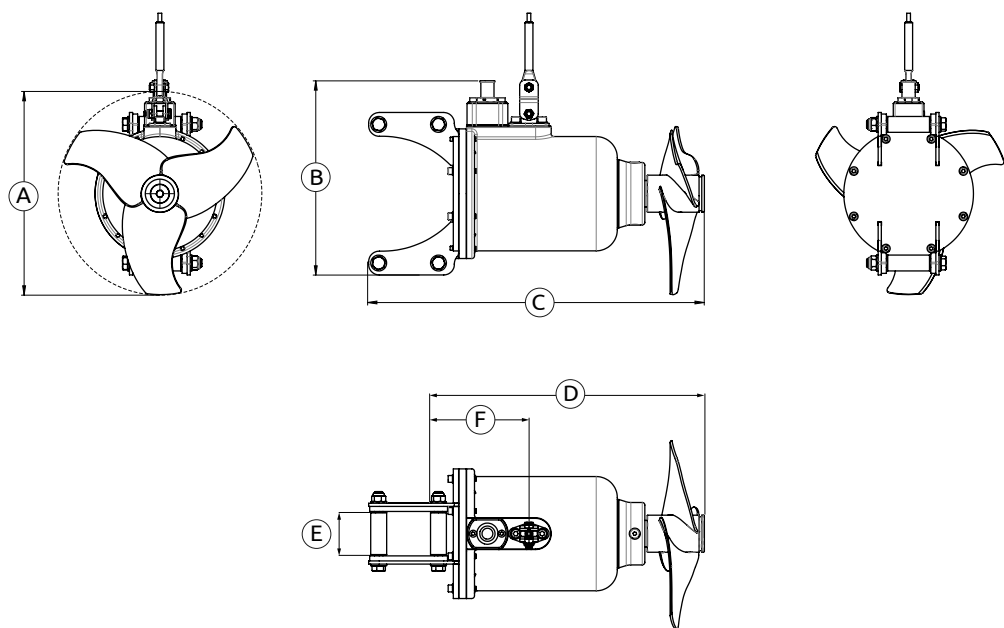
Guide mast support with 4 rollers for smooth height adjustment:  
 2.4 | 3.2 in square mast  
 Special sizes on request

### Corrosion protection

Guiding unit of ss304

### Electric cable

Standard length 33 ft with pressed-on cable gland  
 Microbe resistant cable  
 Cable 4 x 2,5 + 2 x 1 mm<sup>2</sup>, Ø 0.8 in  
 Strain relief 180 lbf



## OPTIMIX

- 2A 8-880**
- 2A 15-880**
- 2A 22-880**

### Dimensions

Type	A [Ø in]	B [in]	C [in]	D [in]	E [in]	F [in]				
2A 8-880	8.7	14.6	25.0	19.9	2.4 / 3.2	7.7				
2A 15-880	9.6	14.6	25.0	19.9	2.4 / 3.2	7.7				
2A 22-880	11.0	14.6	25.0	19.9	2.4 / 3.2	7.7				

### Technical data

Type	Rated Power [hp]	Frequency [Hz]	Propeller speed [rpm]	Propeller diameter [in]	Axial force [lbf]	Flow velocity [ft/s] *	Pumping rate [gal/min]	Weight approx. [lbs]			
2A 8-880	1.0	60	880	8.7	45	7.9	1,320	165			
2A 15-880	2.0	60	880	9.8	76	8.5	1,850	165			
2A 22-880	3.0	60	880	11.0	110	9.5	2,642	165			

Subject to technical changes  
 \* measured in water and 3.94 ft distance