

GIANTMIX FT

- FT1 75-240**
- FT3 110-330**
- FT4 150-330**
- FT4 150-480**
- FT5 185-330**
- FT5 185-480**
- FT6 220-480**



Application

Biogas tanks
 (Fermenter - Post digester - End storage tanks)
 Dry matter content up to 14 %
 Substrate temperature up to 70°C
 pH-value 6.5 - 8.2

Technical Data

Tube length 13.1 / 16.4 / 18.0 / 19.7 ft
 Tube Ø 6.3 x 0.04 in, ss304 inclusive robust tube within tube technology
 Sealing plate 47.2x47.2 in (56.3x56.3), ss304 ss316 on request
 Sound pressure level 75 dB(A)
 Sealing membranes of EPDM60
 Installation up to 26.3 ft below substrate level, other immersion depths on request
 Oil inspection glass for monitoring the tightness
 Agitator completely manufactured in modular design
 Option: power take-off with protection for alternative operation with tractor (max. HD+ 700)
Accessory: POM protection to minimize abrasion

Motor

10 hp : 8-poles
 15.0 / 20.0 / 25.0 / 30.0 hp : 4-poles (IE3 - motor)
 PTC thermistors 160°C (overheat protection)
 Ex-Motor II 3G Ex nA IIA T3 Gc
 Special design 18.0 hp: II 2G Ex e IIA T3 Gb
 Option: rain protection hood (ss304)

Gear

Planetary gear, helical teeth, low noise level
 Reduction ratio $i = 3.69$ or 5.31
 Own oil circuit gear oil SAE85W-140 / API GL-5
 Oil change all 2,000 operating hours

Bearing

2 tapered roller bearing to absorb the axial forces
 Mechanical seals SiC/SiC, independent of rotation direction
 Interim bearings for the drive shaft (slide bearings)

Propeller

3-blade high efficiency propeller, dynamically balanced

FT1:	10.0 hp	240 rpm	Propeller HD+ 800
FT3:	15.0 hp	330 rpm	Propeller HD+ 660
FT4:	20.0 hp	330 rpm	Propeller HD+ 750
FT4:	20.0 hp	480 rpm	Propeller HD+ 540
FT5:	25.0 hp	330 rpm	Propeller HD+ 780
FT5:	25.0 hp	480 rpm	Propeller HD+ 580
FT6:	30.0 hp	480 rpm	Propeller HD+ 620

Standard in ss304, optional ss316 or hardened steel

Adjustment range

Lateral adjustment $\pm 30^\circ$ through handspindle
 Tilt adjustment up to $\pm 30^\circ$ through hydraulic cylinder
 Tank openings: 31.5 x 31.5 in (plate 47.2 in)
 39.4 x 39.4 in (plate 56.3 in)

Ex-Zone

Ex-Zone 2 (outside tank) and Zone 1 (inside tank)
 Special design FT4 18.0 hp for Zone 1 (outside)
 Classification mechanical components:
 II 2G ck IIA T3

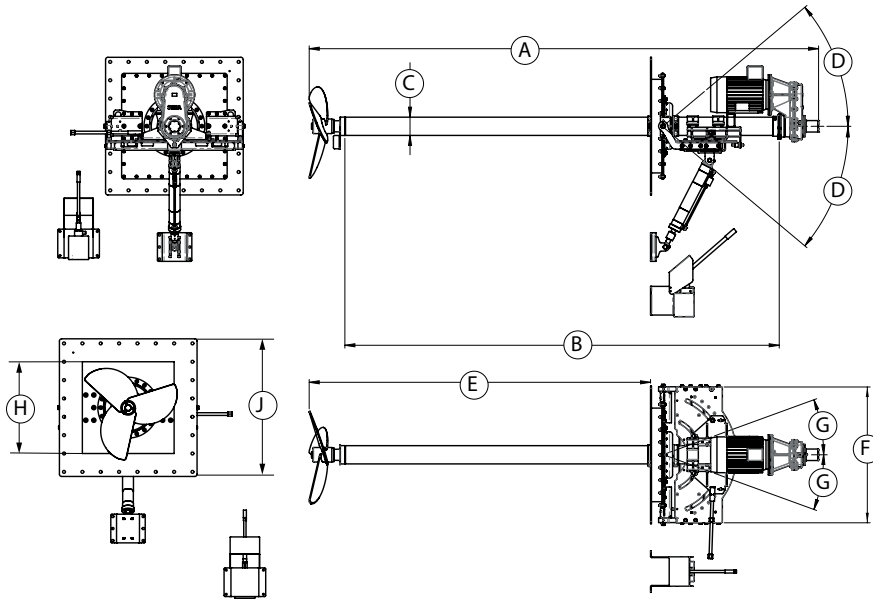
Control switch (optional)

Soft start or frequency converter
 Delivery without connecting cable



GIANTMIX FT

- FT1 75-240
- FT3 110-330
- FT4 150-330
- FT4 150-480
- FT5 185-330
- FT5 185-480
- FT6 220-480



Dimensions

Type	A [in]	B [in]	C [in]	D	E [in]	F [in]	G	H [in]	J [in]
FT 1-6	177 / 217 236 / 256	157 / 197 5.5 / 6.0	∅ 6.3	max. ± 30°	118 / 157 177 / 197	48	± 30°	31 / 39	47 / 56

Technical data

Type	Rated Power [kW]	Propeller speed [rpm]	Frequency [Hz]	Gear reduction ratio	Propeller diameter [in]	Axial force [lbf]	Flow velocity [ft/s] *	Pumping rate water [m ³ /min]	Weight approximate [lbs]
FT1	10.0	240	60	3.69	31.5	449	9.8	22,718	1,873
FT3	15.0	330	60	5.31	26.0	517	10.8	16,642	1,873
FT4	20.0	330	60	5.31	29.5	696	12.1	24,832	1,873
FT4	20.0	480	60	3.69	21.3	606	13.8	14,529	1,873
FT5	25.0	330	60	5.31	30.7	764	12.1	27,209	1,873
FT5	25.0	480	60	3.69	22.8	719	13.4	16,378	1,873
FT6	30.0	480	60	3.69	24.4	854	13.8	19,284	1,873

Subject to technical changes

* measured in water and 3.94 distance

As per: 2018-07

© SUMA America Inc. | 2700 Patriot Blvd Suite 250 | Glenview, IL 60026

Tel: (312) 945 9049 | E-mail: sales@gosuma.com | www.gosuma.com