

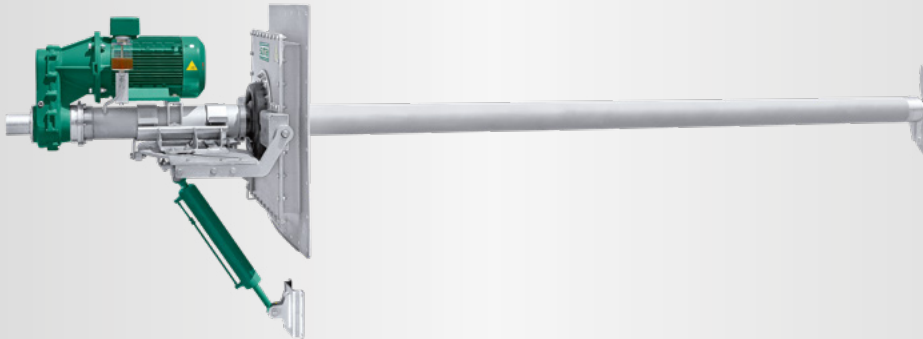
## GIANTMIX FT

**FT4 150-330**

**FT4 150-480**

**FT5 185-330**

**FT5 185-480**



### Application

Dry matter content up to 14 %  
Substrate temperature up to 160 F  
pH-value 6.5 - 8.2

### Technical Data

Tube length 13 / 16.5 / 19.7 ft  
Tube Ø 6.3 x 0.2 in, ss304 inclusive robust tube within tube technology  
Sealing plate 3.9x3.9 ft (4.7x4.7 ft), ss304  
ss316 on request  
Sound pressure level 75 dB(A)  
Sealing membranes of EPDM60  
Installation up to 26.3 ft below substrate level, other immersion depths on request  
Oil inspection glass for monitoring the tightness  
Agitator completely manufactured in modular design  
Accessory: POM protection to minimize abrasion

### Motor

20.0 / 25.0 hp : 4-poles (IE3 - motor)  
PTC thermistors as overheat protection  
Ex-Motor II 3G Ex nA IIA T3 Gc  
Special design 18.0 hp: II 2G Ex e IIA T3 Gb  
Option: rain protection hood (ss304)

### Gear

Planetary gear, helical teeth, low noise level  
Reduction ratio  $i = 3.69$  or  $5.31$   
Own oil circuit gear oil SAE85W-140 / API GL-5  
Oil change all 2,000 operating hours

### Bearing

2 tapered roller bearing to absorb the axial forces  
Mechanical seals SiC/SiC, independent of rotation direction  
Interim bearings for the drive shaft (slide bearings)

### Propeller

3-blade high efficiency propeller, dynamically balanced

FT4:	20.0 hp	330 rpm	Propeller HD+ 750
FT4:	20.0 hp	480 rpm	Propeller HD+ 540
FT5:	25.0 hp	330 rpm	Propeller HD+ 780
FT5:	25.0 hp	480 rpm	Propeller HD+ 580

ss304, optional ss316 or hardened steel

### Adjustment range

Lateral adjustment  $\pm 30^\circ$  through handspindle  
Tilt adjustment up to  $\pm 30^\circ$  through hydraulic cylinder  
Tank openings: 31.5 x 31.5 in (plate 47 in)  
39.4 x 39.4 in (plate 56 in)

### Ex-Zone

Ex-Zone 2 (outside tank) and Zone 1 (inside tank)  
Special design FT4 18.0 hp for Zone 1 (outside)  
Classification mechanical components:  
 III 2G Ex h IIA T3 Gb

### Control switch (optional)

Soft start or frequency converter  
Delivery without connecting cable



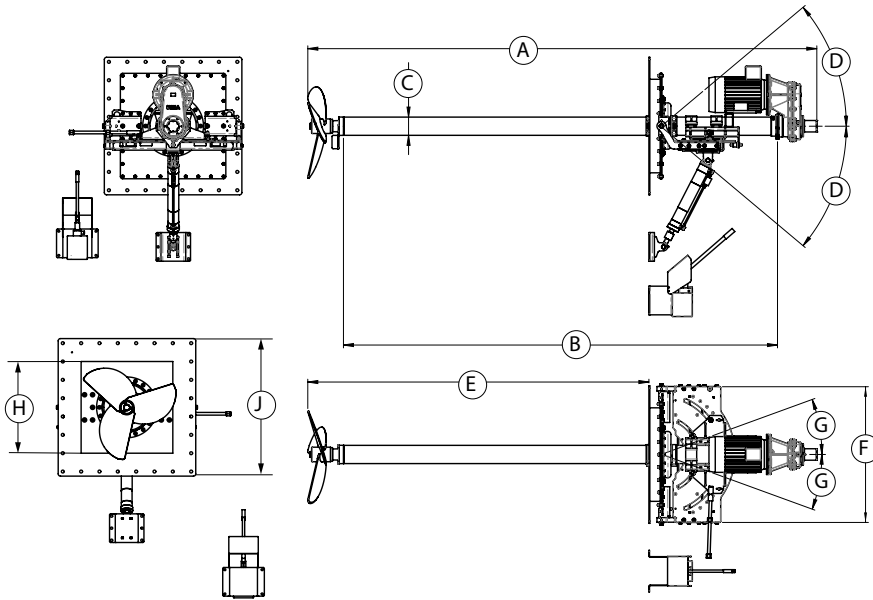
## GIANTMIX FT

**FT4 150-330**

**FT4 150-480**

**FT5 185-330**

**FT5 185-480**



### Dimensions

Type	A [ft]	B [ft]	C [in]	D	E [ft]	F [ft]	G	H [ft]	J [ft]
FT 4-5	14.8 / 18.0 / 21.3	13 / 16.5 / 19.7	ø 6.3	max. ± 30°	9.8 / 13.0 / 16.5	4.0	± 30°	2.6	3.9 / 4.7

### Technical data

Type	Rated Power [hp]	Propeller speed [rpm]	Frequency [Hz]	Gear reduction ratio	Propeller diameter [in]	Axial force [lbf]	Flow velocity [ft/s] *	Pumping rate water [gal/min]	Weight approximate [lbs]
FT4	20.0	330	60	5.31	29.5	696	12.1	25,096	1,873
FT4	20.0	480	60	3.69	21.3	606	13.8	14,529	1,873
FT5	25.0	330	60	5.31	30.7	764	12.1	27,210	1,873
FT5	25.0	480	60	3.69	22.8	719	13.5	16,379	1,873

Subject to changes without notice

\* measured in water and 3.94 ft distance