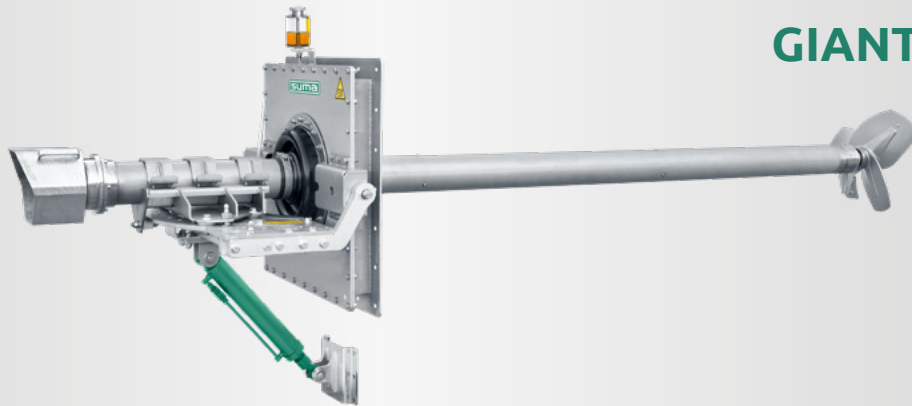


GIANTMIX FT HY



Application

Long-axis agitator
 Dry matter content up to 12 %
 Substrate temperature up to 160 F
 pH-value 6.5 - 8.2

Technical Data

Tube length 13.0 / 16.5 ft
 Tube Ø 6.3 x 0.2 in, ss304 inclusive robust tube within tube technology
 Sealing plate 47x47 in (56.3x56.3), ss304
 ss316 on request
 Sealing membranes of EPDM60
 Oil inspection glass for monitoring the tightness
 Agitator completely manufactured in modular design
 Power take-off with protection of tractor operation
 POM protection to minimize abrasion

Adjustment range

Lateral adjustment $\pm 30^\circ$ through handspindle
 Tilt adjustment up to $\pm 30^\circ$ through hydraulic cylinder
 Tank openings: 31.5 x 31.5 in (plate 47 in)
 39.4 x 39.4 in (plate 56.3 in)

Ex-Zone

Ex-zone 2 (outside the tank) up to the PTO of the agitator
 and Ex-zone 1 (inside the tank)
 Classification mechanical components:
 CE Ex II 2G Ex h IIA T1 Gb

Bearing (drive side)

Standard design with drive train HY for one rotation direction
 Power take off connection (PTO) 1-3/8" (6-chock)
 Bearing head as own modular unit

Bearings (propeller side)

2 tapered roller bearings to absorb the axial forces
 Mechanical seal SiC/SiC independent of rotation direction
 Interim bearings for the drive shaft (slide bearings)

Propeller

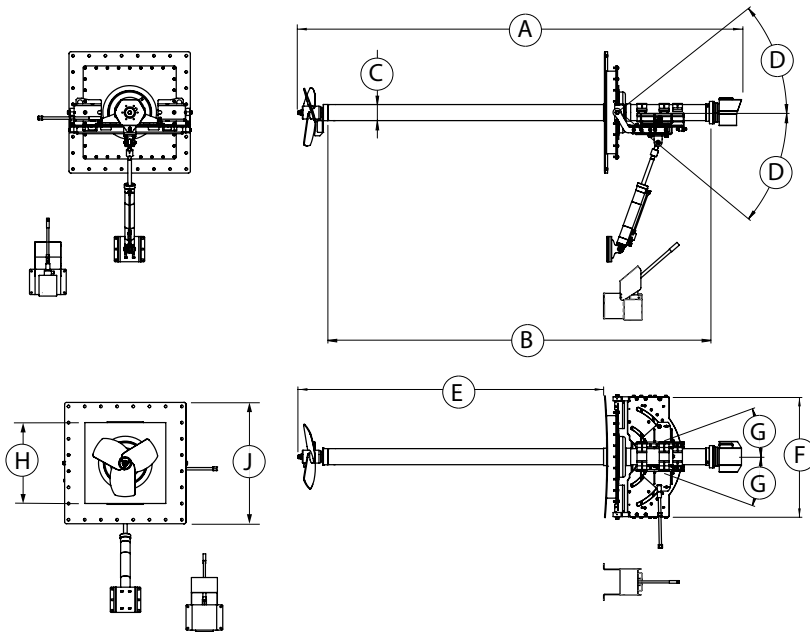
3-blade high efficiency propeller, dynamically balanced

min. 100 HP (72 kW)	540 rpm	Propeller HD+ 660
	750 rpm	Propeller HD+ 580
min. 120 HP (88 kW)	540 rpm	Propeller HD+ 700
	750 rpm	Propeller HD+ 620
min. 136 HP (100 kW)	540 rpm	Propeller HD+ 750
	750 rpm	Propeller HD+ 660

ss304, optional ss316 or hardend steel



GIANTMIX FT HY



Dimensions

Type	A [ft]	B [ft]	C [in]	D	E [ft]	F [ft]	G	H [ft]	J [ft]
FT HY	14.8 / 18.0	13.0 / 16.5	ø 6.3	max. ± 30°	9.8 / 13.1	4.0	± 30°	2.6 / 3.3	3.9 / 4.69

Technical Data

Type	Required tractor power [HP]	Propeller speed [rpm]	Propeller diameter [mm]	Axial force [kN] *	Flow velocity [m/s] *	Pumping rate water [m ³ /min]	Weight [kg]				
FT HY	100	540	21.3	1,348	16.5	26,152	1,653				
FT HY	100	750	22.8	1,618	20.7	25,096	1,653				
FT HY	120	540	27.6	1,596	17.4	31,172	1,653				
FT HY	120	750	24.5	1,888	20.9	29,322	1,653				
FT HY	136	540	29.5	2,023	17.7	36,719	1,653				
FT HY	136	750	26	2,382	21.3	33,813	1,653				