



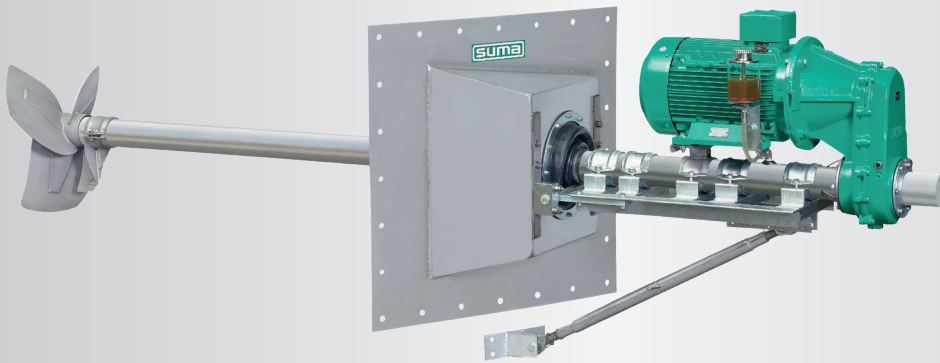
GIANTMIX FR 30°

FR3 30°

FR4 30°

FR4 30°

FR5 30°



Application

Medium weight mixer with mid-sized rod lengths 10' to 13'
 Mounted to side of tank with options for fixed or adjustable operations
 Ideal for small to mid-sized tanks, dry matter content up to 14%
 POM protective sleeve
 Combinations of motors and propeller designs possible to achieve desired mixing goals
 Substrate temperature up to 160 F
 pH-value 5.5 - 8.2

Technical data

Stainless 304 or 316 sealing plates available in three sizes
 Tank openings:
 27.5" □ (Plate 38.5")
 31.5" □ (Plate 47.5")
 39.5" □ (Plate 56.5")
 Sound pressure level 75 dB(A)
 Sealing membrane in EPDM60
 Installation up to 4.9 ft below substrate level, lower installation on request
 Overflow container for monitoring oil level
 Without motor for PTO operation (6 spline hook up)
 - only up to 540 rpm
 POM protective sleeve
 Agitator manufactured in modular design

Motor

10 hp : 8-poles or 15.0 / 20.0 / 25.0 hp : 4-poles
 Overheat protection
 Ex-Motor II 3G Ex nA IIA T3 Gc
 Special design 18.0 hp: II 2G Ex e IIA T3 Gb
 Optional: Rain protection hood (stainless 304)

Gear

Spur gear drive, helical teeth, low noise level
 Reduction ratio $i = 3.69$ or 5.31
 Isolated oil circuit, gear oil SAE85W-140 / API GL-5
 2,000 operating hours between oil changes

Bearing

SiC/SiC mechanical seal for bearing housing with two tapered roller bearings to absorb axial forces
 Stabilizing bearings for the drive shaft (slide bearings)

Propeller

3-blade high efficiency propeller, dynamically balanced

FR3:	15 hp	330 rpm	Propeller HD+ 660
FR4:	20 hp	330 rpm	Propeller HD+ 750
FR4:	20 hp	480 rpm	Propeller HD+ 540
FR5:	25 hp	480 rpm	Propeller HD+ 580

Standard material stainless 304

Optional materials stainless 316, hardened steel, polymer or tungsten carbide

Adjustment range

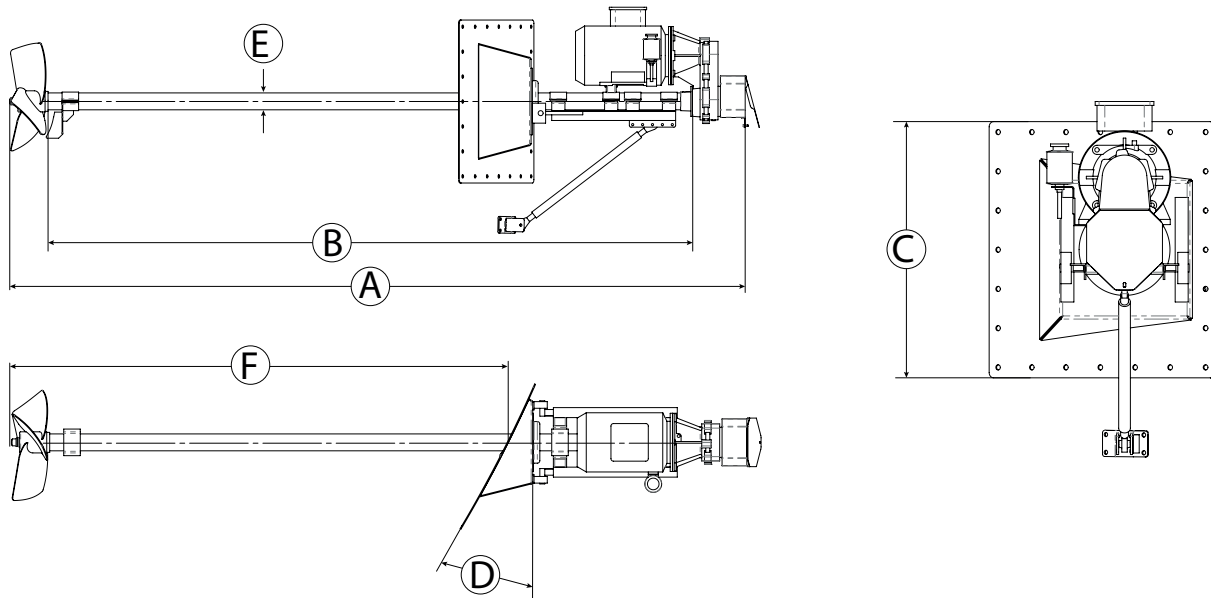
Sealing plate 30° ss304 with tight lateral alignment
 Vertical inclination ($\pm 11^\circ$) via upper link or optional $\pm 25^\circ$ via rack winch

Ex-zone

Ex-Zone 2 (outside the tank) and Zone 1 (inside the tank)
 Special system FR4 18.0 hp for Zone 1 (outside)

Controls (optional)

Star-delta switch (up to max. 20 hp),
 soft start or frequency converter
 Delivery without connecting cable



Dimensions

Type	A Ø [in]	B [in]	C [in]	D	E [in]				
FR4 / FR5	138 / 177	114 / 154	39	30 °	ø 4				
FR3 / FR4 (330 rpm)			47						

Technical data

Type	Rated Power [hp]	Propeller speed [rpm]	Frequency [HZ]	Gear reduction ratio	Propeller diameter [in]	Axial force [lbf]	Flow velocity [ft/s] *	Pumping rate Water [gal/min]	Weight approximate [lbs]
FR3	15.0	330	60	5.31	26.0	517	10.8	16648	1212
FR4	20.0	330	60	5.31	29.5	696	12.1	24832	1212
FR4	20.0	480	60	3.69	21.3	606	13.8	14529	1212
FR5	25.0	480	60	3.69	22.8	719	13.5	16378	1212

Subject to change without notice

* measured in water and 3.94 distance