

## GIANTMIX FR STATIONARY

**FR3**  
**FR4**  
**FR5**





### Application

Medium weight mixer with midsize rod lengths 10' to 13'  
Mounted to side of tank  
Ideal for small to midsize tanks, dry matter content up to 14%  
POM protective sleeve  
Combinations of motors and propeller designs possible to achieve desired mixing goals  
Substrate temperature up to 160 F  
pH-value 6.5 - 8.2

### Technical Data

Tube length 8.2' / 9.8'  
Sound pressure level 75 dB(A)  
Installation up to 26' below substrate level possible  
Overflow container for monitoring of oil levels  
Option: Rubber compression seal Ø 7.9 in, galvanized  
Without motor for PTO operation (6 spline hook up)  
- only up to 540 rpm  
Agitator completely in modular design

### Motors

15 / 20 / 25 hp : 4 poles  
Overheat protection  
Ex-Motor (Series)  II 3G Ex nA II T3 Gc  
Special version with 18.0 hp  II 2G Ex e IIA T3 Gb  
Option: stainless 304 rain protection hood

### Gear

Spur gear drive, helical teeth, low noise level  
Reduction ratio  $i = 3.69$   
Isolated oil circuit, gear oil SAE85W-140 / API GL-5  
2,000 operating hours between oil changes

### Bearing

SiC/SiC mechanical seal for bearing housing with two tapered roller bearings to absorb axial forces  
Stabilizing bearings for the drive shaft, slide bearing

### Propellers

3-blade high efficiency propeller, dynamically balanced

FR3:	15 hp	480 rpm	propeller HD+ 500
FR4:	20 hp	480 rpm	propeller HD+ 540
FR5:	25 hp	480 rpm	propeller HD+ 580

Standard material stainless 304  
optional materials stainless 316, hardened steel, polymer coated or Tungsten carbide

### Ex-Zone

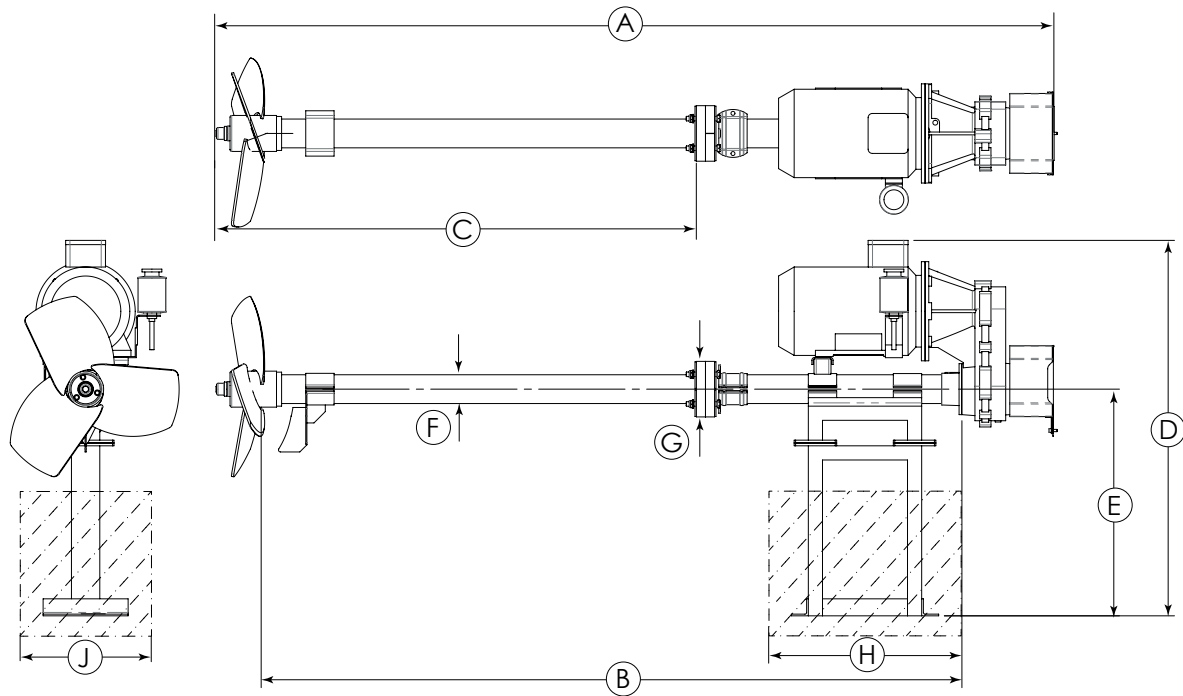
Ex-Zone 2 (outside the tank) and Zone 1 (inside the tank)  
Special version FR4 with 18 hp for Zone 1 (outside tank)

### Control box (optional)

Star-delta-switch, soft starter, frequency converter  
Delivery without connecting cable

### Installation

Steel base (included in delivery) on concrete pad



### Dimensions

Type	A [ft]	B [ft]	C [ft]	D [in]	E [in]	F [in]	G [in]	H [in]	J [in]
FR 3-5	9.8 / 11.5	8 / 9.8	5 / 6.9	52.2	31.5	4	7.9	31.5	19.7

### Technical data

Type	Rated Power [hp]	Propeller speed [rpm]	Frequency [Hz]	Gear reduction ratio	Propeller diameter [in]	Axial force [lbF]	Flow velocity [ft/s] *	Pumping rate Water [gal/min]	Weight approximate [lbs]
FR3	15.0	480	60	3.69	19.7	494	11.8	10,566	661
FR4	20.0	480	60	3.69	21.3	607	13.8	14,529	661
FR5	25.0	480	60	3.69	22.9	719	13.5	16,378	661

Subject to change without notice

\* measured in water and 3.94 ft distance