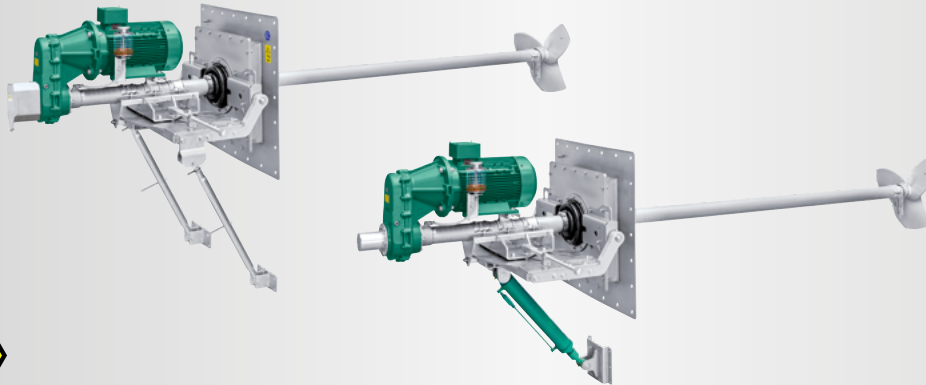


GIANTMIX FR SP

FR3
FR4
FR4
FR5



Application

Medium weight mixer with midsized rod lengths 10' to 13'
Mounted to side of tank with options for fixed or adjustable operations
Ideal for small to midsized tanks, dry matter content up to 14%
POM protective sleeve
Combinations of motors and propeller designs possible to achieve desired mixing goals
Substrate temperature up to 160 F
pH-value 6.5 - 8.2

Technical Data

Stainless 304 or 316 sealing plates available in three sizes
Tank openings:
27.5" □ (Plate 38.5")
31.5" □ (Plate 47.5")
39.5" □ (Plate 56.5")
Sound pressure 75 dB(A)
Sealing membranes in EPDM60
Installation up to 26' beneath substrate level, lower installation on request
Standard has upper link for vertical adjustment
Overflow container for monitoring oil level
Without motor for PTO operation (6 spline hook up)
- only up to 540 rpm
POM protective sleeve
Modular design for easy and fast service

Motor

10 hp: 8-poles, 15 | 20 | 25 hp: 4-poles (IE3 - motor)
Overheat protection
Ex-Motor II 3G Ex nA IIA T3 Gc
Special design 13.5 kW: II 2G Ex eb IIC T3 Gb
Optional rain protection hood (stainless 304)

Gear

Spur gear drive, helical teeth, low noise level
Reduction ratio $i = 3.69$ or 5.31
Isolated oil circuit, SAE 85W-140 / API GL-5
2,000 operating hours between oil changes

Bearing

SiC/SiC mechanical seal for bearing housing with two tapered roller bearings to absorb axial forces
Stabilizing bearings for the drive shaft (slide bearings) in the protective tube

Propeller

3-blade high efficiency propeller, dynamically balanced

FR3:	15 hp	330 rpm	Propeller HD+ 660
FR4:	20 hp	330 rpm	Propeller HD+ 750
FR4:	20 hp	480 rpm	Propeller HD+ 540
FR5:	25 hp	480 rpm	Propeller HD+ 580

stainless 304

Optional materials stainless 316, hardened steel, polymer or tungsten carbide

Adjustment Options

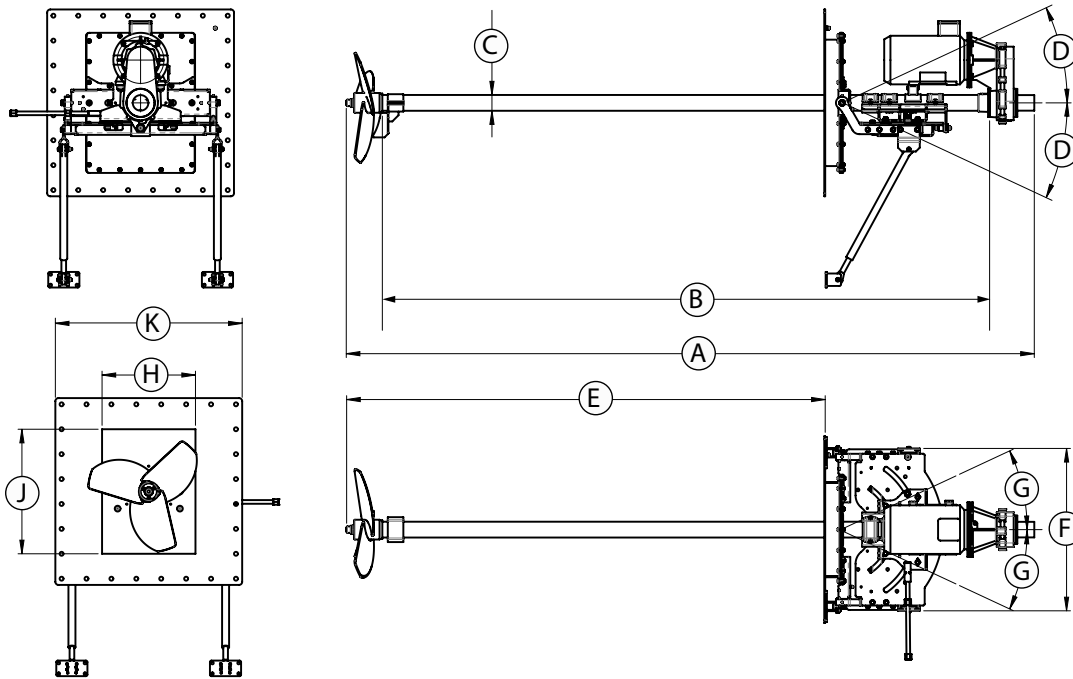
Spindle for horizontal adjustment up to ± 25 degrees
Upper link for vertical adjustment, optional via hydraulic cylinder up to ± 30 degrees or via pinion rack

Ex-Zone

Ex-zone 2 (outside tank) and zone 1 (inside tank)
Special system FR with 18 hp for Zone 1 (outside)

Controls (optional)

Star-delta-switch (max. 20 hp), soft start or frequency converter
Delivery without connection cable



Dimensions

Type	A Ø [in]	B [in]	C [in]	D	E [in]	F [in]	G	H [in]	J [in]	K [in]
FR4 / FR5	138 /	114 /	4	max.	83 /	43	± 25°	24	24	38.6*
FR3 / FR4 (330 rpm)	177	154		± 30°	122			24	32	

* optional 47.5" or 56.5"

Technical data

Type	Rated Power [hp]	Propeller speed [rpm]	Frequency [Hz]	Gear reduction ratio	Propeller diameter [in]	Axial force [lbf]	Flow velocity [ft/s] *	Pumping rate water [gal/min]	Weight approximate [lbs]
FR3	15	330	60	5.31	26.0	517	10.8	16,642	1,433
FR4	20	330	60	5.31	29.5	696	12.1	24,832	1,433
FR4	20	480	60	3.69	21.3	606	13.8	14,529	1,433
FR5	25	480	60	3.69	22.8	719	13.5	16,378	1,433

Subject to change without notice

* measured in water at 3.94 distance

2022-02

© SUMA America Inc. | 2700 Patriot Blvd Suite 250 | Glenview, IL 60026

Tel: (312) 945 9049 | Email: sales@gosuma.com | www.gosuma.com