

GIANTMIX BG2

BG2 40-220

BG2 40-305

BG2 75-330

BG2 75-460

BG2 100-330

BG2 100-460



Application

Medium weight mixer with mid-sized rod lengths 13' to 16.4'
 Ideal for lagoons, dry matter content up to 12%
 Combinations of motors and propeller designs possible to achieve desired mixing goals
 Substrate temperature up to 160 F
 pH-value 6.5 - 8.2

Technical data

Foil clamp unit, Ø 29.5" in stainless 304
 Sound pressure level 75 dB(A)
 Overflow container for monitoring oil level

Motor

4.0 / 7.5 / 10 hp, 60Hz
 Overheat protection

Gear

Planetary gear, helical cut, low noise
 Reduction $i = 3.83$ or 5.25
 Isolated oil circuit, gear oil Blasias SX 320
 10,000 operating hours between oil changes

Tube

Tube in stainless 304, stainless 316 on request
 Stabilizing bearings for the drive shaft (slide bearings) in the protective tube

Propeller

3-bladed, dynamically balanced propeller

BG2 40-220	4.0 hp	propeller HD+640	220 rpm
BG2 40-305	4.0 hp	propeller HD+ 540	305 rpm
BG2 75-330	7.5 hp	propeller HD+ 620	330 rpm
BG2 75-460	7.5 hp	propeller HD+ 480	460 rpm
BG2 100-330	10.0 hp	propeller HD+ 640	330 rpm
BG2 100-460	10.0 hp	propeller HD+ 500	460 rpm

stainless 304

Optional materials: galvanized, hardened steel, stainless 316 and polymer coated

Bearing

SiC/SiC mechanical seal for bearing housing with two tapered roller bearings to absorb axial forces

Ex-Zone

Ex-Zone 2 (outside)
 and Ex-Zone 1 (inside)

Classification mechanical: $\text{CE} \text{Ex} \text{II 2G Ex h IIA T3 Gb}$

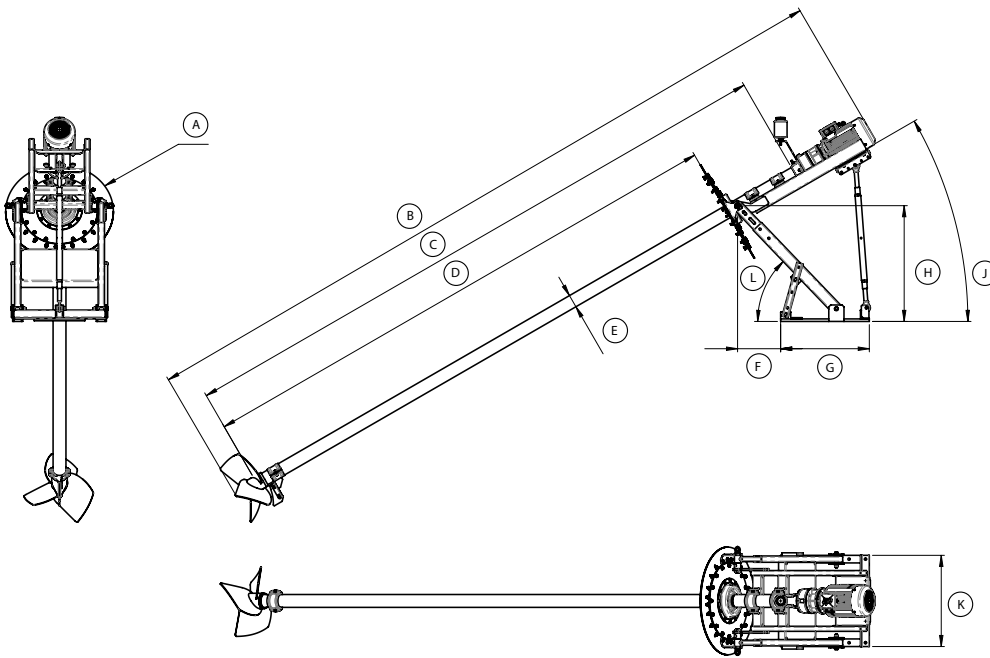
Controls (optional)

Star-delta switch, soft start or frequency converter
 Delivery without connecting cable



GIANTMIX BG2

- BG2 40-220**
- BG2 40-305**
- BG2 75-330**
- BG2 75-460**
- BG2 100-330**
- BG2 100-460**



Dimensions

Type	A [in]	B [in]	C [in]	D [in]	E [in]	F [in]	G [in]	H [in]	J [°]	K [in]	L [°]
BG2	29.5	224.4	197	173.2	4	7-16.9	27.6	23.6 - 47.2	0° - 30°	28.3	30° - 62°

Technical data

Type	Rated power [hp]	Frequency [Hz]	Gear reduction ratio	Propeller speed [rpm]	Propeller diameter [in]	Axial force [lbf]	Flow velocity [ft/s] *	Pumping rate Water [gal/min]	Weight approximate [lbs]
BG2 40-220	4.0	60	5.25	220	640	224.8	7.5	11,359	617.3
BG2 40-305	4.0	60	3.83	305	540	224.8	7.9	8,189	617.3
BG2 75-330	7.5	60	5.25	330	24.4	404.7	10.2	8,189	617.3
BG2 75-460	7.5	60	3.83	460	18.9	382.2	9.8	7,925	617.3
BG2 100-330	10.0	60	5.25	330	640	472.1	10.8	16,114	617.3
BG2 100-460	10.0	60	3.83	460	500	427.1	10.2	10,567	617.3

Subject to changes without notice

* measured in water and 3.94 ft distance

© SUMA America Inc. | 2700 Patriot Blvd Suite 250 | Glenview, IL 60026

Tel: (312) 945 9049 | Email: sales@gosuma.com | www.gosuma.com