

GIANTMIX BG2

BG2 75-330

BG2 75-460



Application

Medium weight mixer with midsized rod lengths 13' to 16.4'
 Ideal for lagoons, dry matter content up to 12%
 Combinations of motors and propeller designs possible to achieve desired mixing goals
 Substrate temperature up to 160 F
 pH-value 6.5 - 8.2

Technical data

Foil clamp unit, Ø 29.5" in stainless 304
 Sound pressure level 75 dB(A)
 Overflow container for monitoring oil level

Motor

10 hp, 60Hz
 Overheat protection

Gear

Planetary gear, helical cut, low noise
 Reduction $i = 3.83$ or 5.25
 Isolated oil circuit, gear oil Blasias SX 320
 10,000 operating hours between oil changes

Tube

Tube in stainless 304, stainless 316 on request
 Stabilizing bearings for the drive shaft (slide bearings) in the protective tube

Propeller

3-bladed, dynamically balanced propeller

BG2 75-330	10.0 hp	330 rpm	propeller HD+ 620
BG2 75-460	10.0 hp	460 rpm	propeller HD+ 480

stainless 304

Optional materials: galvanized, hardened steel, stainless 316 and polymer coated

Bearing

SiC/SiC mechanical seal for bearing housing with two tapered roller bearings to absorb axial forces

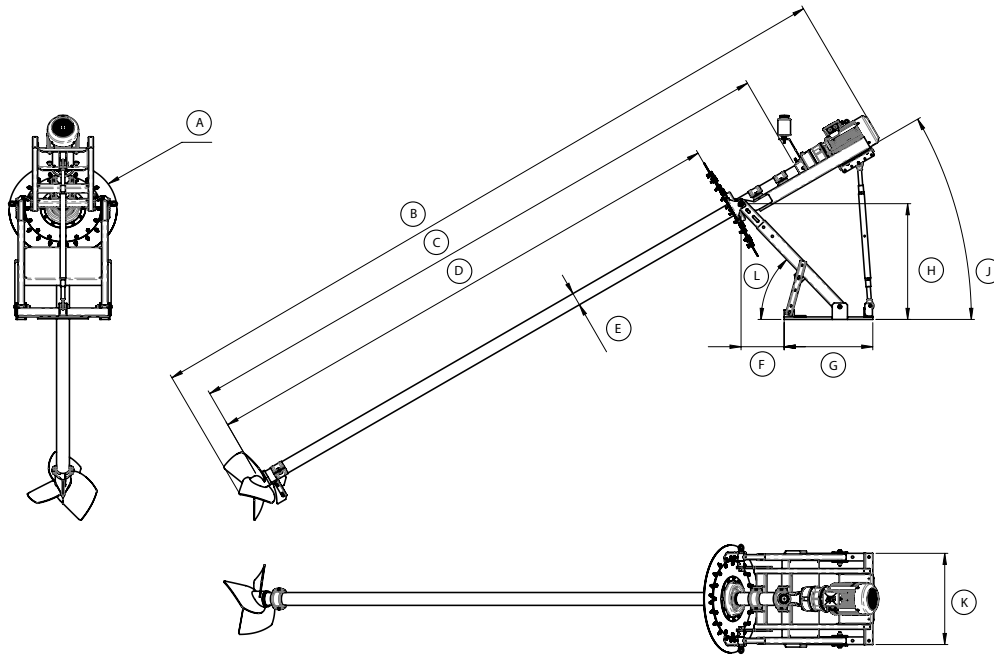
Ex-Zone

Ex-Zone 2 (outside)
 and Ex-Zone 1 (inside)

Classification mechanical: **CE Ex II 2G Ex h IIA T3 Gb**

Controls (optional)

Star-delta switch, soft start or frequency converter
 Delivery without connecting cable



Dimensions

Type	A [in]	B [in]	C [in]	D [in]	E [in]	F [in]	G [in]	H [in]	J [°]	K [in]	L [°]
BG2 75-330	29.5	224.4	197	173.2	4	7-16.9	27.6	23.6 - 47.2	0° - 30°	28.3	30° - 62°
BG2 75-460											

Technical data

Type	Rated power [hp]	Frequency [Hz]	Gear reduction ratio	Propeller speed [rpm]	Propeller diameter [in]	Axial force [lbf]	Flow velocity. [ft/s] *	Pumping rate Water [gal/min]	Weight approximate [lbs]
BG2 75-330	10.0	60	5.25	330	24.4	404.7	10.2	14,265	617.3
BG2 75-460	10.0	60	3.83	460	18.9	382.2	9.8	7,925	617.3

Subject to changes without notice

* measured in water and 3.94 ft distance