

GIANTMIX MZR LAGOON

MZR4 150-400

MZR5 185-400



Application

Rod agitator for open lagoons

Bearing

2 tapered roller bearings to absorb the axial forces
Shaft seal ring, optional: mechanical seal of SiC/SiC
Interim bearings for the drive shaft

Technical Data

Tube length 23 ft
Agitator tube \varnothing 4.8 x 0.15 in, galvanized
pH-value: 6.5 - 8.2
Stabilisation tube
Swivel device 360° horizontally
Vertical adjustment with a robust pinion rack
Agitator completely in modular design

Propeller

3-blade high efficiency propeller, dynamically balanced

MZR4	20 hp	propeller HD+540	480 rpm
MZR5	25 hp	propeller HD+580	480 rpm

Galvanized, hardened steel, ss304 or hardened ss304

Motor

20 / 25 hp
PTC thermistors as overheat protection

Control switch (optional)

Star-delta switch or soft start
(MZR5 only possible with soft start)

Gear

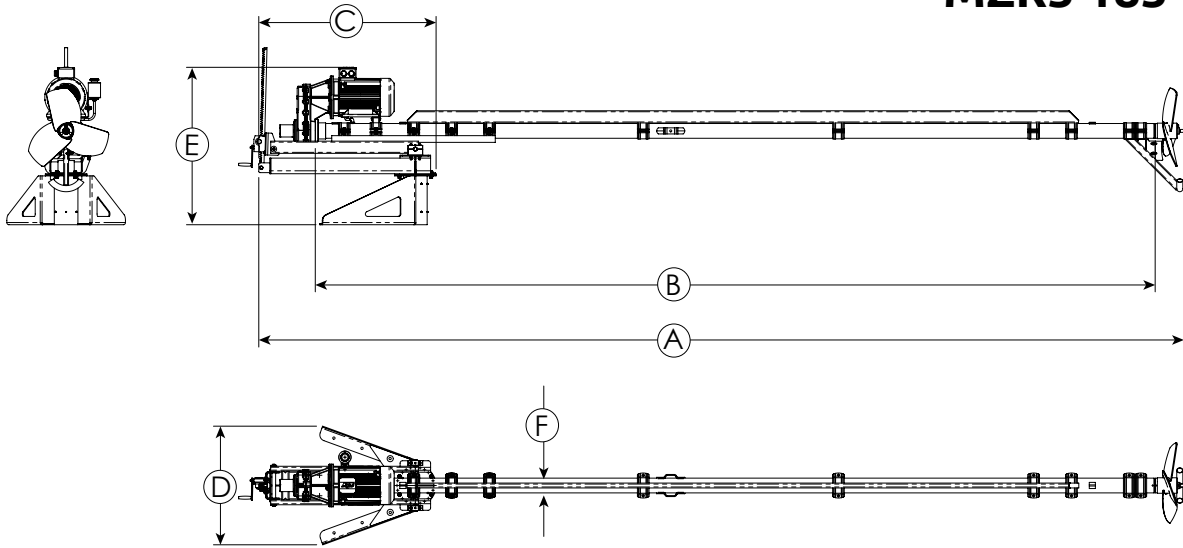
Spur gear drive, helical teeth, low noise level
Reduction ratio $i = 3.69$
Oil chamber, gear oil SAE 85W-140 / API GL-5



GIANTMIX MZR LAGOON

MZR4 150-480

MZR5 185-480



Dimensions

Type	A [in]	B [in]	C [in]	D [in]	E [in]	F [in]				
MZR 4										
MZR 5	299	271	57	38	51	Ø 4.8				

Technical data

Type	Rated Power [hp]	Frequency [HZ]	Gear reduction ratio	Propeller speed [rpm]	Propeller diameter [in]	Axial force [lbf]	Flow velocity [ft/s] *	Pumping rate Water [gal/min]	Weight approximate [lbs]
MZR 4	20	60	3.69	480	21.3	606	13.8	14,529	1,256
MZR 5	25	60	3.69	480	22.8	719	13.5	16,379	1,256

Subject to changes without notice

* measured in water and 3.94 ft distance

As per: 2023-08

© SUMA America Inc. | 2700 Patriot Blvd Suite 400 | Glenview, IL 60026

Phone: 312.912.1961 | Email: sales@gosuma.com | www.gosuma.com