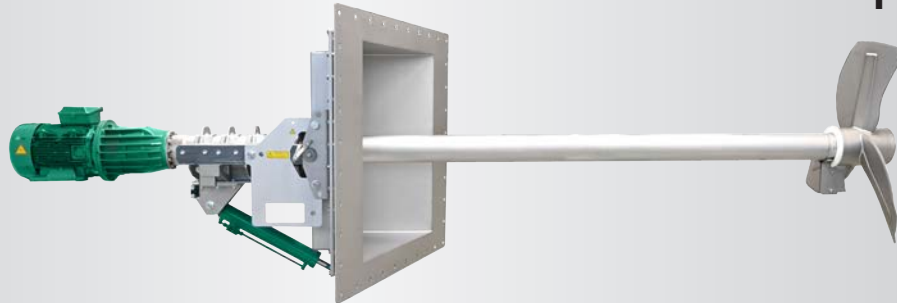


## GIANTMIX FTX

### FTX 150-160



#### Application

Dry matter content up to 15 %  
Substrate temperature up to 70°C  
pH-value 6.5 - 8.5

#### Technical Data

Tube length 13.1 / 16.4 / 18.0 / 19.7 ft  
Tube Ø 6.3 x 0.04 in, ss304 inclusive robust tube within tube technology  
30° sealing plate in ss304 other angles as well as ss316 version on request  
Sound pressure level 75 dB(A)  
Installation up to 26.3 ft below substrate level, other immersion depths on request  
Oil inspection glass for monitoring the tightness  
Agitator completely manufactured in modular design  
POM protection to minimize abrasion  
Requirement on site:  
Start Giantmix FTX with frequency converter

#### Motor

Motor power: 20.0 hp, 2-poles

#### Gear

Robust 2-staged planetary gear, 1st stage helical geared, low noise level  
Reduction ratio  $i = 22.0$   
Longlife gear oil Blasias SX 320  
Oil change after 12,000 operating hours

#### Bearing

2 tapered roller bearings to absorb the axial forces  
Mechanical seal SiC/SiC, independent of rotation direction  
Interim slide bearings for the drive shaft

#### Propeller

3-blade high efficiency propeller, dynamically balanced  
FTX 20.0 hp | 160 rpm | Propeller XT 1100-13  
ss304, optional ss316

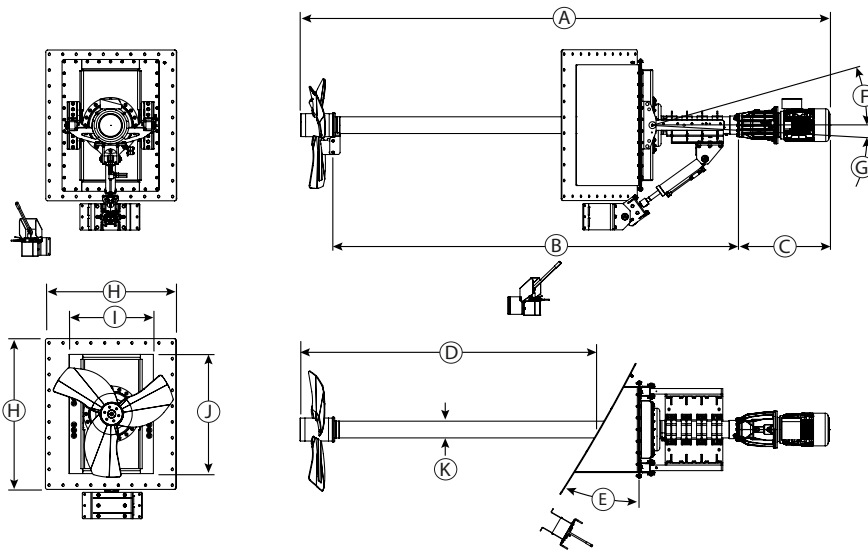
#### Adjustment range

Sealing plate 56.3 x 68.1 in optional right or left 30° preset, other ranges on request  
Vertical inclination through hydraulic cylinder + 5° / - 30°  
Tank opening (WxH): 43.3 x 43.3 in



# GIANTMIX FTX

## FTX 150-160



### Dimensions

Type	A [in]	B [ft]	C [in]	D [in]	E	F	G	H [in]	I [in]	J [in]	K [in]		
FTX 150-160	197	13.1	33.9	111.0	30°	30°	5°	56.3	35.4	43.3	Ø 6.3		
	276	19.7		-								189.7	

### Technical data

Type	Rated Power [hp]	Propeller speed [rpm]	Frequency [Hz]	Gear reduction ratio	Propeller diameter [in]	Axial force [lbf]	Flow velocity [ft/s] *	Pumping rate water [m <sup>3</sup> /min]	Weight approximate [lbs]				
FTX 150-160	20.0	160	60	22.0	43.3	1,079	11.8	197	2,425				

Subject to changes without notice  
 \* measured in water and 3.94 distance  
 As per: 2021-02

© SUMA America Inc. | 2700 Patriot Blvd Suite 250 | Glenview, IL 60026  
 Tel: (312) 945 9049 | E-mail: sales@gosuma.com | www.gosuma.com