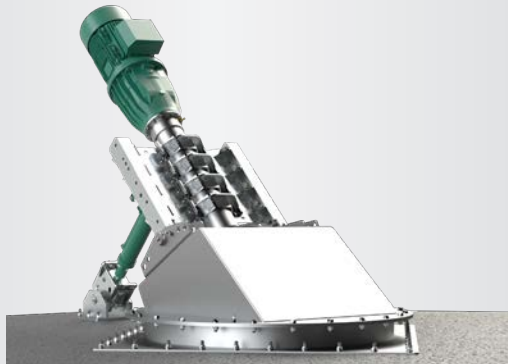


## GIANTMIX FTX TOP MOUNT

### FTX 150-160



#### Application

Dry matter content up to 15 %  
 Substrate temperature up to 70°C  
 pH-value 6.5 - 8.5

#### Technical Data

Tube length 13.1 / 16.4 / 18.0 / 19.7 ft  
 Tube Ø 6.3 x 0.04 in, ss304 inclusive robust tube within tube technology  
 30° sealing plate in ss304 other angles as well as ss316 version on request  
 Sound pressure level 75 dB(A)  
 Oil inspection glass for monitoring the tightness  
 Agitator completely manufactured in modular design  
 POM protection to minimize abrasion  
 Requirement on site:  
 Start Giantmix FTX with frequency converter

#### Motor

Motor power: 20.0 hp, 2-poles

#### Gear

Robust 2-staged planetary gear, 1st stage helical geared, low noise level  
 Reduction ratio  $i = 22.0$   
 Longlife gear oil Blasias SX 320  
 Oil change after 12,000 operating hours

#### Bearing

2 tapered roller bearings to absorb the axial forces  
 Mechanical seal SiC/SiC, independent of rotation direction  
 Interim slide bearings for the drive shaft

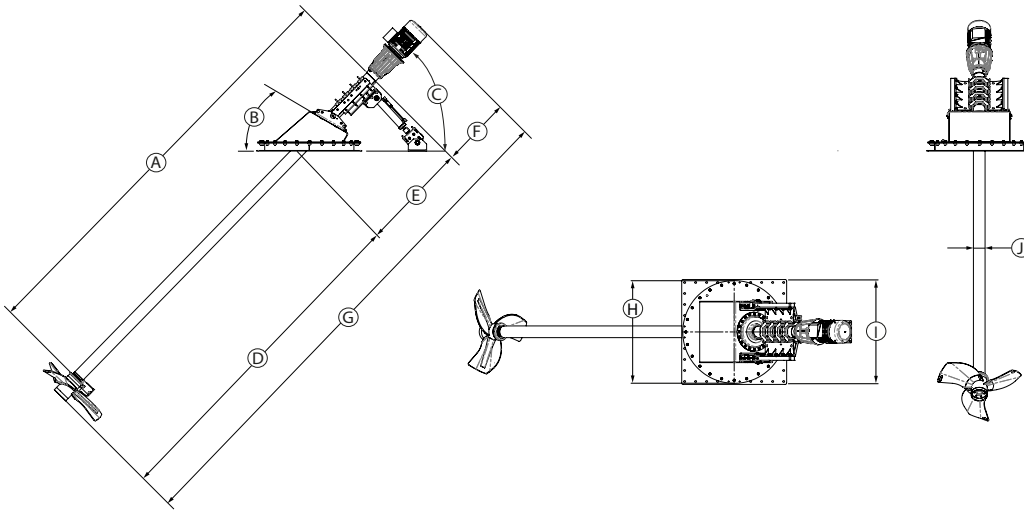
#### Propeller

3-blade high efficiency propeller, dynamically balanced  
 FTX 20.0 hp | 160 rpm | Propeller XT 1100-13  
 ss304, optional ss316



## GIANTMIX FTX TOP MOUNT

FTX 150-160



Dimensions													
Type	A [ft]	B	C	D [in]	E [in]	F [in]	G [in]	H [in]	I [in]	J [in]			
FTX 150-160	13.1	30°	max. 60°	111.0	60	33.9	197	55.1	56.3	Ø 6.3			
	- 19.7			- 189.7			- 276						

Technical data													
Type	Rated Power [hp]	Propeller speed [rpm]	Frequency [Hz]	Gear reduction ratio	Propeller diameter [in]	Axial force [lbf]	Flow velocity [ft/s] *	Pumping rate water [m³/min]	Weight approximate [lbs]				
FTX 150-160	20.0	160	60	22.0	43.3	1,079	11.8	197	2,425				

Subject to changes without notice  
 \* measured in water and 3.94 distance  
 As per: 2021-11

© SUMA America Inc. | 2700 Patriot Blvd Suite 250 | Glenview, IL 60026  
 Tel: (312) 945 9049 | E-mail: sales@gosuma.com | www.gosuma.com