



GIANTMIX FT

FT1 75-200
FT3 110-275
FT4 150-275
FT4 150-400
FT5 185-275
FT5 185-400
FT6 220-400



Application

Dry matter content up to 14 %
 Substrate temperature up to 70°C
 pH-value 6.5 - 8.2

Technical Data

Tube length 4.0 / 5.0 / 5.5 / 6.0 m
 Tube Ø 159 x 5 mm, ss304 inclusive robust tube within tube technology
 Sealing plate 120 x 120 cm (143 x 143), ss304 ss316 on request
 Sound pressure level 75 dB(A)
 Sealing membranes of EPDM60
 Installation up to 8 m below substrate level, other immersion depths on request
 Oil inspection glass for monitoring the tightness
 Agitator completely manufactured in modular design
 Option: power take-off with protection for alternative operation with tractor (max. HD+ 700)
 POM protection to minimize abrasion

Motor

7.5 kW : 8-poles
 11.0 / 15.0 / 18.5 / 22.0 kW : 4-poles (IE3 - motor)
 400 V, 50 Hz, special voltages on request
 PTC thermistors (overheat protection)
 Ex-Motor  II 3G Ex nA IIA T3 Gc
 Special design 13.5 kW:  II 2G Ex eb IIC T3 Gb
 Option: rain protection hood (ss304)

Gear

Planetary gear, helical teeth, low noise level
 Reduction ratio $i = 3.69$ or 5.31
 Own oil circuit gear oil SAE85W-140 / API GL-5
 Oil change all 2,000 operating hours

Bearing

2 tapered roller bearing to absorb the axial forces
 Mechanical seals SiC/SiC, independent of rotation direction
 Interim bearings for the drive shaft (slide bearings)

Propeller

3-blade high efficiency propeller, dynamically balanced



| | | | |
|------|---------|---------|-------------------|
| FT1: | 7.5 kW | 200 rpm | Propeller HD+ 850 |
| FT3: | 11.0 kW | 275 rpm | Propeller HD+ 800 |
| FT4: | 15.0 kW | 275 rpm | Propeller HD+ 850 |
| FT4: | 15.0 kW | 400 rpm | Propeller HD+ 660 |
| FT5: | 18.5 kW | 275 rpm | Propeller HD+ 880 |
| FT5: | 18.5 kW | 400 rpm | Propeller HD+ 700 |
| FT6: | 22.0 kW | 400 rpm | Propeller HD+ 750 |

ss304, ss316 or hardened steel

Adjustment range

Lateral adjustment $\pm 30^\circ$ through handspindle
 Tilt adjustment up to $\pm 30^\circ$ through hydraulic cylinder
 Tank openings: 800 x 800 mm (plate 120 cm)
 1,000 x 1,000 mm (plate 143 cm)

Ex-Zone

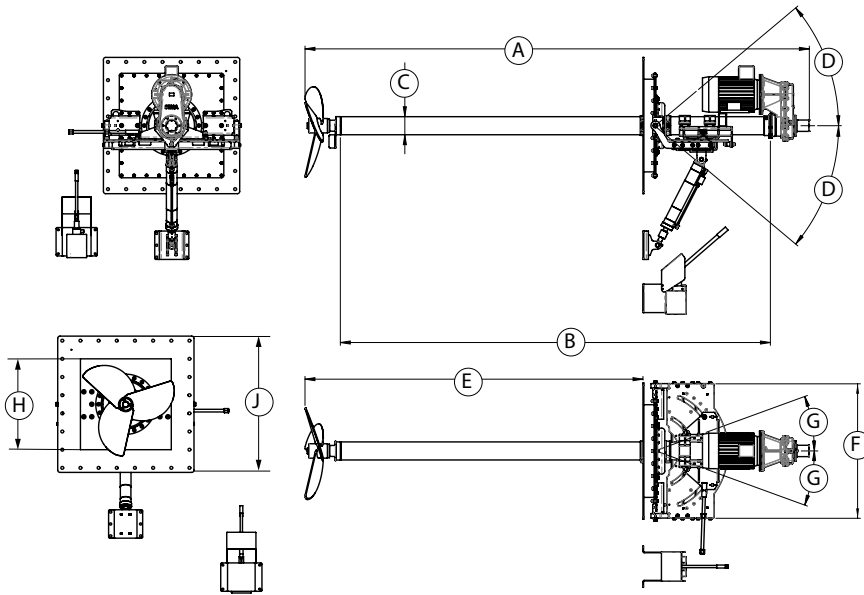
Ex-Zone 2 (outside tank) and Zone 1 (inside tank)
 Special design FT4 13.5 kW for Zone 1 (outside)
 Classification mechanical components:
  II 2G Ex h IIA T3 Gb

Control switch (optional)

Soft start or frequency converter
 Delivery without connecting cable

GIANTMIX FT

- FT1 75-200
- FT3 110-275
- FT4 150-275
- FT4 150-400
- FT5 185-275
- FT5 185-400
- FT6 220-400



Dimensions

| Type | A [m] | B [m] | C [mm] | D | E [m] | F [m] | G | H [m] | J [m] |
|--------|------------------------|------------------------|--------|---------------|------------------------|-------|-------|--------------|---------------|
| FT 1-6 | 4.5 / 5.5 6.0 / 6.5 | 4.0 / 5.0 5.5 / 6.0 | Ø 159 | max. ± 30° | 3.0 / 4.0 4.5 / 5.0 | 1.23 | ± 30° | 0.8 / 1.0 | 1.2 / 1.43 |

Technical data

| Type | Rated Power [kW] | Propeller speed [rpm] | Rated Voltage [V] | Rated current [A] | Frequency [Hz] | Power factor cos φ | Gear reduction ratio | Propeller diameter [mm] | Axial force [kN] | Flow velocity [m/s] * | Pumping rate water [m ³ /min] | Weight approximate [kg] |
|------|------------------|-----------------------|-------------------|-------------------|----------------|--------------------|----------------------|-------------------------|------------------|-----------------------|--|-------------------------|
| FT1 | 7.5 | 200 | 400 | 18.0 | 50 | 0.70 | 3.69 | 850 | 2.0 | 2.6 | 85 | 850 |
| FT3 | 11.0 | 275 | 400 | 19.6 | 50 | 0.88 | 5.31 | 800 | 2.9 | 3.2 | 95 | 850 |
| FT4 | 15.0 | 275 | 400 | 28.3 | 50 | 0.83 | 5.31 | 850 | 4.1 | 3.6 | 119 | 850 |
| FT4 | 15.0 | 400 | 400 | 28.3 | 50 | 0.83 | 3.69 | 660 | 3.3 | 4.3 | 84 | 850 |
| FT5 | 18.5 | 275 | 400 | 33.7 | 50 | 0.85 | 5.31 | 880 | 4.4 | 3.7 | 132 | 850 |
| FT5 | 18.5 | 400 | 400 | 33.7 | 50 | 0.85 | 3.69 | 700 | 3.9 | 4.3 | 94 | 850 |
| FT6 | 22.0 | 400 | 400 | 41.0 | 50 | 0.83 | 3.69 | 750 | 4.5 | 4.5 | 115 | 850 |

Subject to technical changes

* measured in water and 1.2 m distance

As per: 2022-06

© SUMA Rührtechnik GmbH | Martinszeller Str. 21 | DE-87477 Sulzberg
Phone: +49 8376 / 92131 - 0 | Fax: - 19 | info@suma.de | www.suma.de/en