

PADDLE AGITATORS

ASTRAMIX-SERIES

STEVOMIX-SERIES



SUMA Paddle Agitators

Our slow running paddle agitators complement SUMA's long axis and submersible mixers for stirring floating and sinking layers in the most demanding processes.

With different paddle geometries, customised to your specific requirements, our agitators offer maximum flexibility. The paddle agitators can be used for highly viscous media with a dry matter content of up to 15%.

Various materials are available for the construction of the agitators: durable structural steel, coated structural steel for increased corrosion protection or high-quality ss316 stainless steel for the highest demands. All models are also equipped with highly wear-resistant and maintenance-free internal bearings made of bearing plastic - for smooth and low-maintenance operation over many years.

The intelligent combination of long-axis agitator, submersible mixer and paddle agitator guarantees optimum mixing of the substrate - even under the most difficult conditions.

Rely on quality and efficiency - our paddle agitators are the ideal choice for your mixing processes.



Efficiency and reliability for every application

The paddle agitators are suitable for fermenters, secondary fermenters and digestate storage tanks with an installation height of installation height of 1.5 - 12.0 m*

- Closed tanks
- Closed tanks with concrete ceiling
- Open tanks
- Steel tanks



* depending on type



ASTRAMIX PT

PT5 150-10

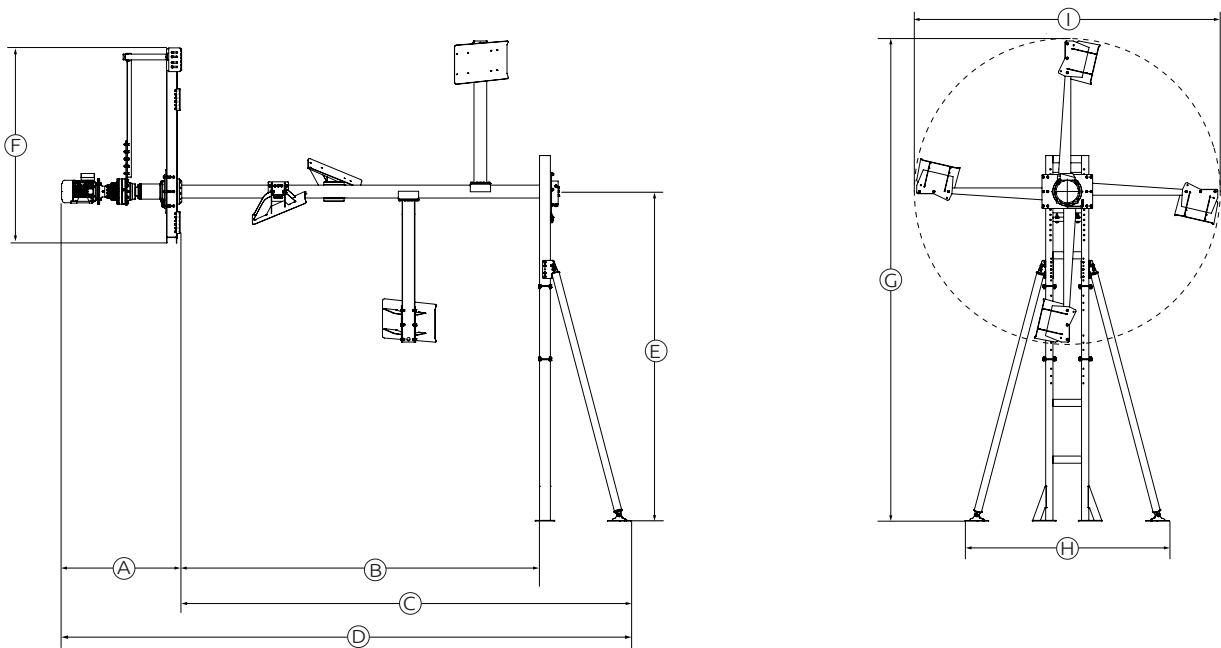


Application

- For constant filling levels
- Dry matter content up to 15 %
- Substrate temperature up to 70°C
- pH value 6.5 - 8.2

Technical data

- Motor power: 15 kW
- Rotational speed: 10 rpm
- 3-staged planetary gear
- Optional: foil protection



Dimensions & Weight

Type	A [mm]	B [mm]	C [mm]	D [mm]	E [mm]	F [mm]	G [mm]	H [mm]	I [mm]	Weight [kg]
PT5	1,650	5,000	6,110	7,900	3,550	2,697	5,650	2,590	4,200	2,000
			6,250		4,550					
			6,360		5,550		6,650	2,850		
							7,650	3,070		



STEVMIX HX

HX5 150-10
 HX5 220-10
 HX11 220-10



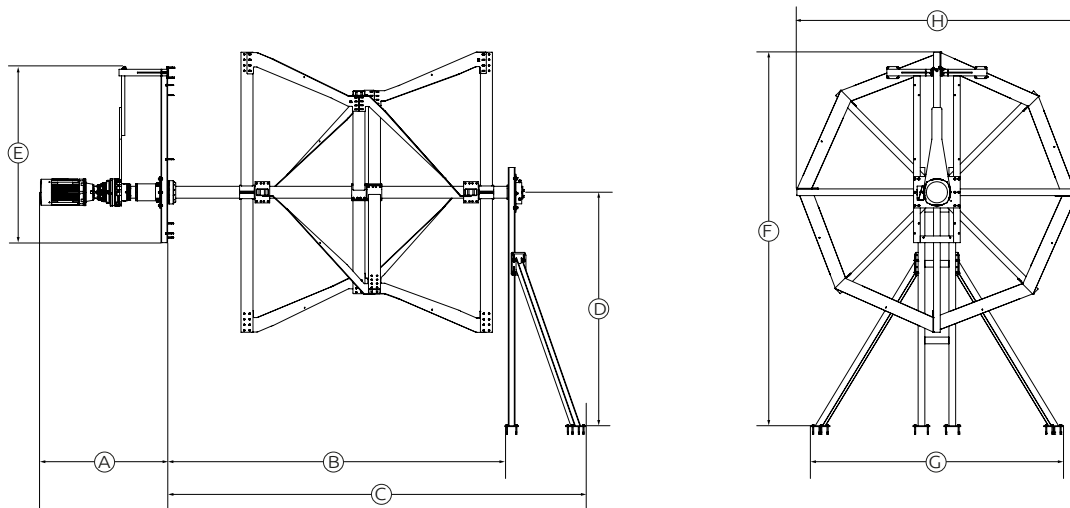
made by STEVERDING

Application

- For constant & varying filling levels
- Dry matter content up to 15 %
- Substrate temperature up to 55°C
- pH value 6.5 - 8.2

Technical data

- Motor power: 15, 22 kW
- Thrust: max. 7.25/10.55 kN
- Rotational speed: 10 rpm
- 3-staged planetary gear



Dimensions & Weight

Type	A [mm]	B [mm]	C [mm]	D [mm]	E [mm]	F [mm]	G [mm]	H [mm]	Weight [kg]
HX5	1,700	5,000	var.*	2,600 - 12,000	2,640	var*	var*	4,200	approx. 2,600
HX11	approx. 2,100	11,000	var.*	2,600 - 9,000	2,640	var*	var*	4,200	4,800 - 5,000**

* depending on installation height

** depending on version



STEVOMIX AX

AX5 150-10
 AX5 220-10
 AX11 220-10



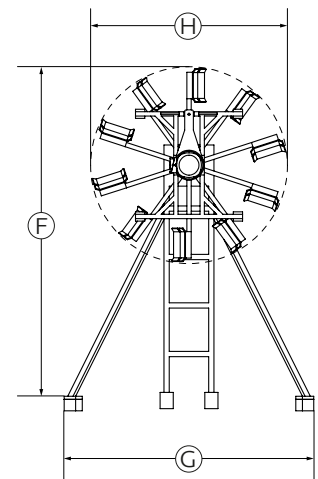
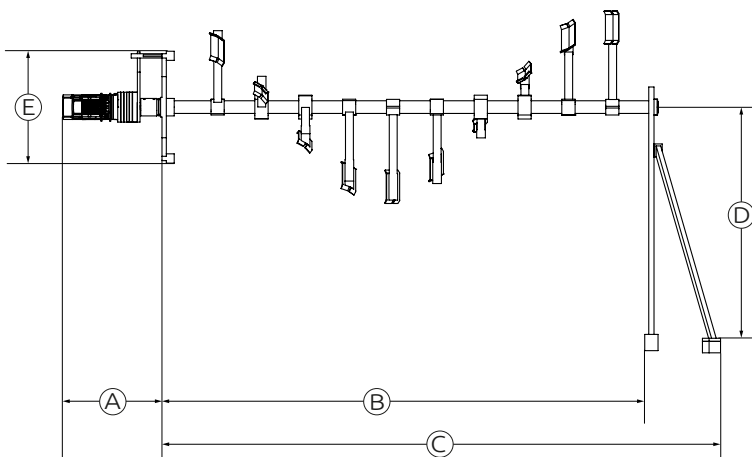
made by STEVERDING

Application

- For constant & fluctuating filling levels
- Dry matter content up to 15 %
- Substrate temperature up to 55°C
- pH value 6.5 - 8.2

Technical data

- Motor power: 15, 22 kW
- Thrust: max. 6.9/10 kN
- Rotational speed: 10 rpm
- 3-staged planetary gear
- Mechanical seal



Dimensions & Weight

Type	A [mm]	B [mm]	C [mm]	D [mm]	E [mm]	F [mm]	G [mm]	H [mm]	Weight [kg]
AX5	1,700	5,000	var.*	2,600 - 12,000	2,640	var.*	var.*	4,200	approx. 2,500
AX11	2,100	approx. 11,000	var.*	2,600 - 9,000	2,000	var.*	var.*	4,200	4,800 - 5,000**

* depending on installation height

** depending on version



STEVMIX VX

- VX5 150-8
- VX7 150-8
- VX9 150-8
- VX11 150-8



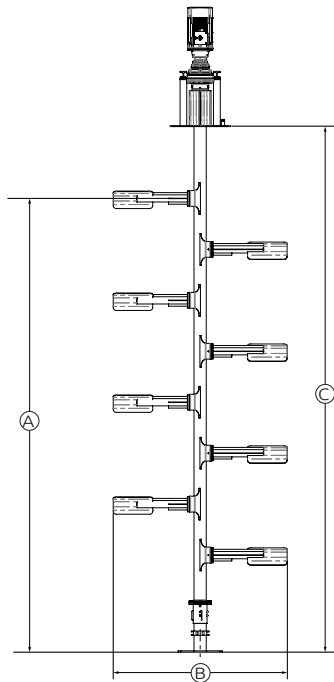
made by STEVERDING

Application

- For constant & fluctuating filling levels
- Dry matter content up to 15 %
- Substrate temperature up to 55°C
- pH value 6.5 - 8.2

Technical data

- Motor power: 15 kW
- Rotational speed: 8 rpm
- 3-staged planetary gear



Dimensions

Type	A [mm]	B [mm]	C [mm]
VX5	5,000	Ø2,750	6,000
VX7	7,000	Ø2,750	8,000
VX9	9,000	Ø2,750	10,000
VX11	11,000	Ø2,750	12,000

* depending on installation height

SUMA product range

Discover the entire SUMA product range:

With our range of long-axis agitators, submersible motor agitators, central agitators and paddle agitators, we offer you a perfectly coordinated system - all from a single source.

We've been delivering agitation and pumping solutions for over 65 years in the biogas, manure and waste water industry. Our knowledge and exclusive technology combined with our field-related expertise makes SUMA able to optimise and deliver custom solutions for your business.

Long-axis agitators GIANTMIX



Technical data

- Motor power: 4.0 - 22 kW
- Propeller-Ø: 275 - 1,600 mm
- Rotational speed: 82 - 1,450 rpm
- Tube length: 1.0 - 6.0 m
- Dry matter content: 8 - 16 %

Submersible mixers OPTIMIX



Technical data

- Motor power: 3.0 - 25 kW
- Propeller-Ø: 310 - 1,400 mm
- Rotational speed: 65 - 950 rpm
- Housing: Cast iron or stainless steel
- Dry matter content: 8 - 14 %

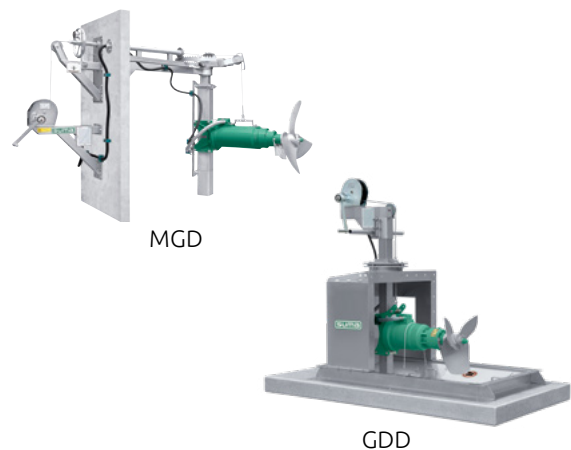
Central mixer Z-MIX



Technical data

- Motor power: 3.0 - 45.0 kW
- Paddel-Ø: 1.0 - 6.0 m
- Rotational speed: 10 - 60 rpm
- Mast/Shaft length: up to 20.0 m
- Flange: levelling

Masts and Suspensions



Technical data

- Tank height: up to 14 m
- Swiveling:
MGD 240° horizontal
GDD 360° horizontal

Contact



SUMA Rührtechnik GmbH
Martinszeller Str. 21
87477 Sulzberg
Germany

Phone: +49 8376 92131-0
Fax: +49 8376 92 131-19
E-Mail: info@suma.de
www.suma.de/en

