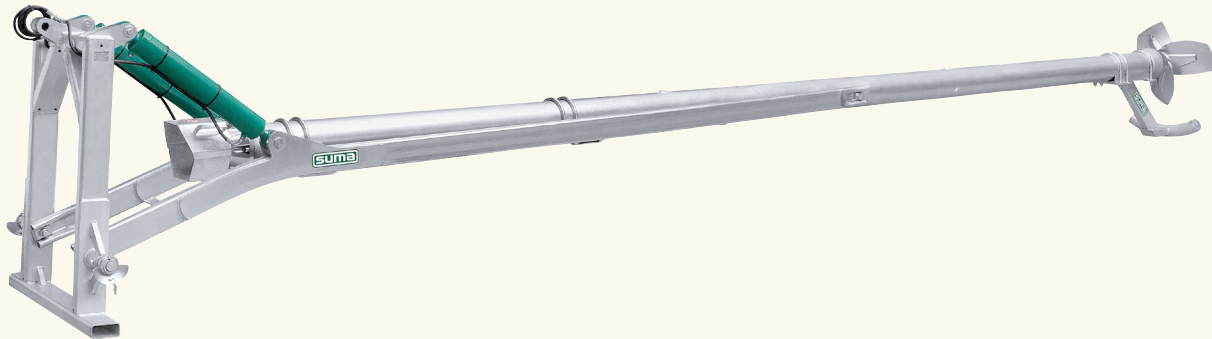


# Long-axis agitator Giantmix Z6



**Robust**  
**Effective**  
**Versatile use**

## Application

For agitation of open tanks and lagoons  
up to 22.9 ft depth  
For tractor use

## Technical Data

Tube length 24.6 / 29.5 ft  
Three-point-frame (cat. 3) with 2 hydraulic cylinder for  
angle adjustment, max. 45°  
Agitator completely modular designed  
Support out of rounded tubular profi

## Bearing (drive train)

Standard design with drive train HY for one rotational  
direction with power-take off connection  
1-3/4" (6-chock)  
Bearing head as own modular unit  
1-3/4" (20-chock) on request

## Bearing (propeller)

Two tapered roller bearings for taking up axial and  
radial forces  
Conical shaft Ø 2.4 in (hardened)  
Sealing with mechanical seals SiC/SiC  
Bearing head as own modular unit with oil chamber

## Agitator tube and drive shaft

Tube Ø 7.6 x 0.25 in mm galvanized  
Drive shaft Ø 2.75 in with multiple interim bearing  
Interim bearing package with ball bearing, permanently  
lubricated

## Propeller

3-blade high efficiency propeller, dynamically balanced  
Propeller-size depends on tractor power (on 1,000 rpm)

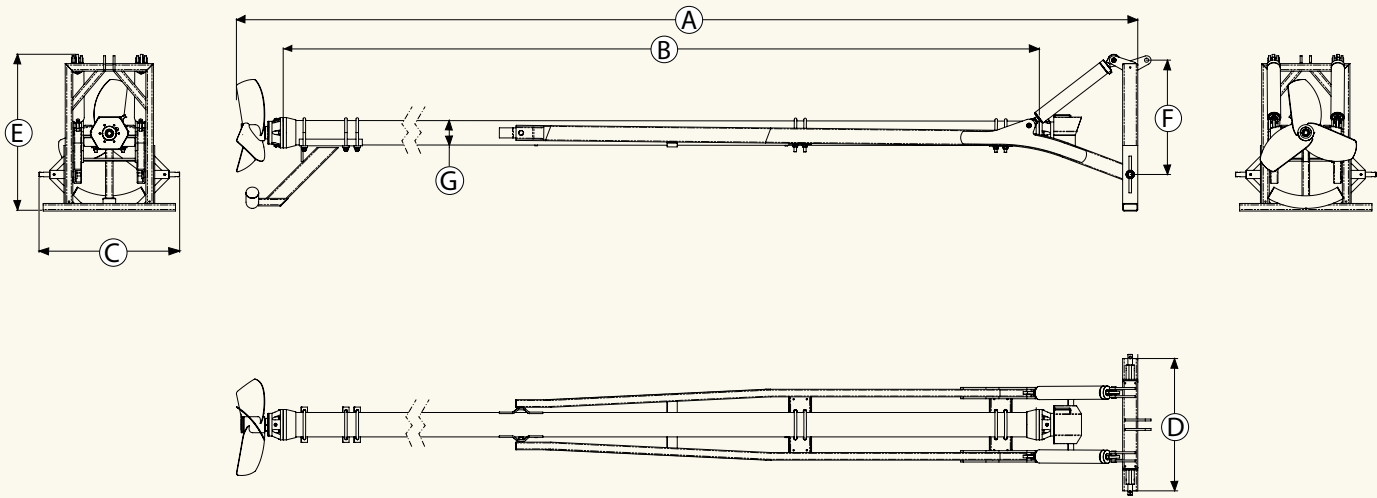
- MS 720 / 218 hp
- MS 850 / 272 hp

Standard is galvanized, optional hardened steel, ss304  
or hardened ss304

## Accessories

Cardan shaft W 2600 (L = 1.210) 1-3/4" (6-chock)

# Long-axis agitator Giantmix Z6



Dimensions												
Type	A [in]	B [in]	C [in]	D [in]	E [in]	F [in]	G [in]					
Z6 (7.5 m)	346.5	295.3	43.9	37	49	35.7	7.6					
Z6 (9.0 m)	405.5	354	43.9	37	49	35.7	7.6					

Subject to technical changes

\* measured in water and 3.9 ft distance