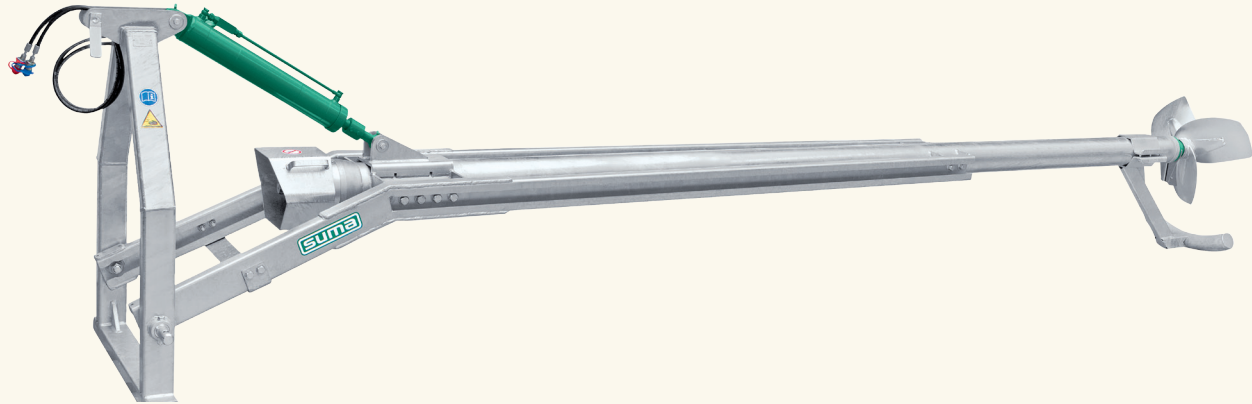


Long-axis agitator Giantmix Z5



**Robust
Effektive
Versatile use**

Application

For agitation of open tanks and lagoons
up to 19.7 ft depth

For tractor use

On request with a special frame for connection on:

- Hydraulic motor
- Front loader
- Excavator

Technical Data

Tube length 19.7 / 23 / 26 ft

Full agitator length 23.6 / 26.9 / 30 ft

Three-point-frame (cat. 3) with 1 hydraulic cylinder for
angle adjustment, max. 45°

Agitator completely modular designed

Support out of rounded tubular profil

Bearing (drive train)

Standard design with drive train HY for one
rotational direction with power-take off connection
1-3/4" (6-chock)

Bearing head as own modular unit

Bearing (propeller)

Two tapered roller bearings for taking up axial and
radial forces

Conical shaft Ø1.77 in (hardened)

Sealing with mechanical seals SiC/SiC

Lubrication by oil bath in the agitator tube

Bearing head as own modular unit

Agitator tube and drive shaft

Tube Ø 6.26 x 0.25 in galvanized

Drive shaft Ø 2.75 in with multiple interim bearing and
with both sided polygonal slip-on connection

Tube ist filled with special oil, approx. 40 %

Propeller

3-blade high efficiency propeller, dynamically balanced
Propeller-size depends on tractor power (on 1,000 rpm)

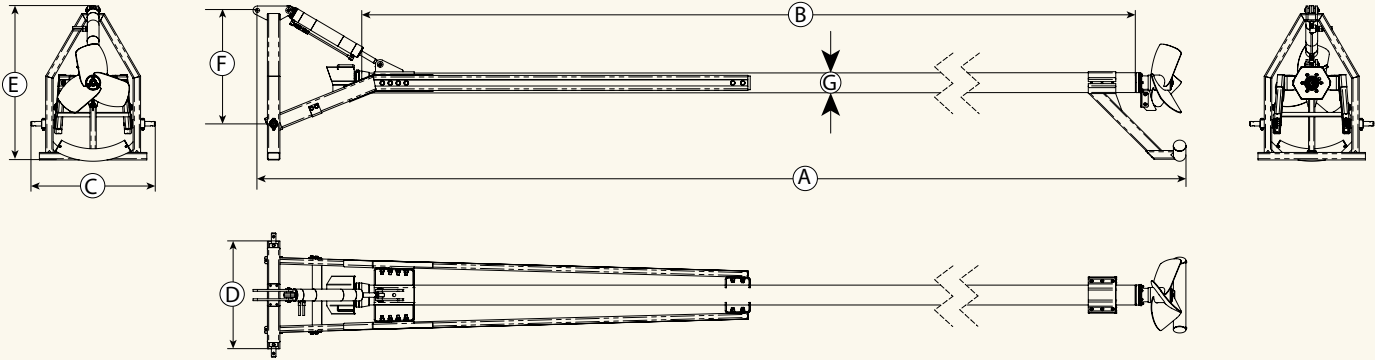
- HD+ 580 mm / 120 hp
- HD+ 620 mm / 136 hp
- HD+ 660 mm / 177 hp
- HD+ 700 mm / 218 hp

Standard is galvanized, optional hardened steel, ss304
or hardened ss304

Accessories

Cardan shaft W 2600 (L = 1,210)

Long-axis agitator Giantmix Z5



Dimensions											
Type	A (in)	B (in)	C (in)	D (in)	E (in)	F (in)	G (in)				
Z5 (6.0 m)	283.5	236.2	35.5	32.5	48.3	35.7	Ø 6.26				
Z5 (7.0 m)	322.8	275.6	35.5	32.5	48.3	35.7	Ø 6.26				
Z5 (8.0 m)	362.2	315	35.5	32.5	48.3	35.7	Ø 6.26				

Subject to technical changes.

* measured in water and 3.9 ft distance