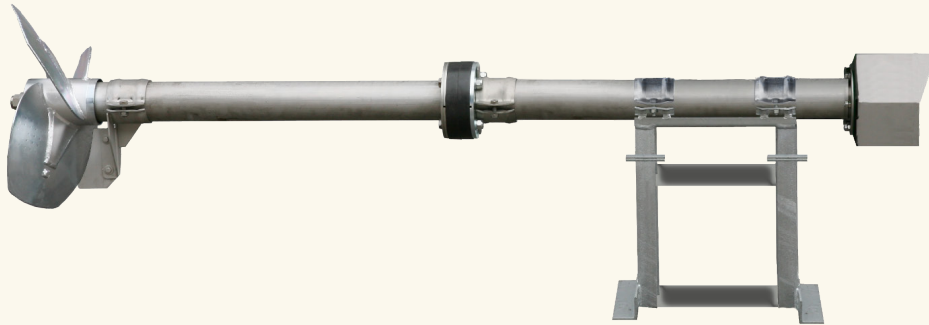


Long-axis agitator Giantmix Z3 stationary



Type Z3 HY stationary

**Powerfull
Innovative Design
Low maintenance cost**

Application

Biogas tank (Fermenter - Post digester -
End storage tank)
Dry matter content up to 14 %
Substrate temperature up to 70°C
pH-Value 6.5 - 8.2

Technical Data

Tube length 6.56 / 8.2 / 9.84 / 11.5 ft
Agitator tube Ø 4 x 0.16 or 0.22 inch in ss304
Rubber compression seal Ø 7.87 inch galvanized
Installation up to 19.6 ft below substrate level possible
Sound pressure level 72 dB(A)
Option: Power take-off with protection for an alternativ
tractor operation
Oil inspection glas as a service indicator (monitoring the
impermeability)

Bearing (drive train)

Standard design with drive train HY for one
rotating direction with power take-off 1-3/8" (6-chock)
Bearing head as own modular unit

Bearing (propeller)

Two tapered roller bearing for taking up thrust
Mechanical sealing SiC/SiC
Interim bearings in drive shaft (slide bearing)

Propeller

3-blade high efficiency propeller, dynamically balanced

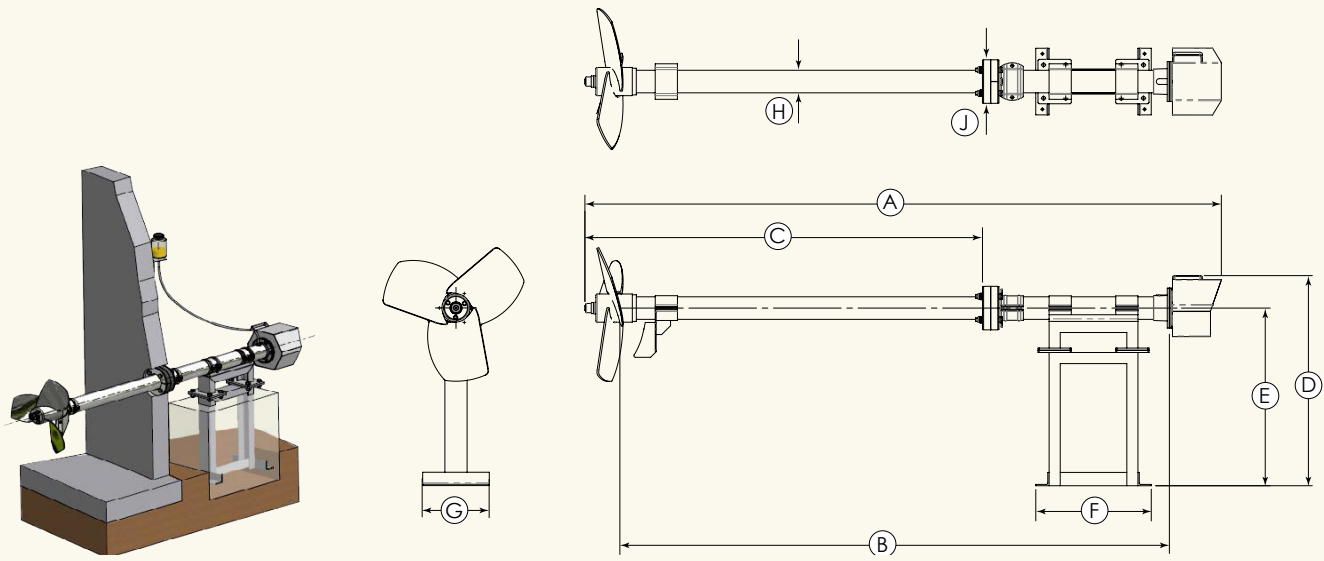
Z3 HY stationary: Propeller HD+ 560 / 82 hp
Z3 HY stationary: Propeller HD+ 580 / 98 hp

Standard in ss304, optional hardened steel or
hardened ss304

Ex-Zone (tube and gear)

Ex-Zone 2 (inside tank)
Classification mechanical components
CE Ex II 2G ck IIA T4

Long-axis agitator Giantmix Z3 stationary



Abmessungen

Typ	A [in]	B [in]	C [in]	D [in]	E [in]	F [in]	G [in]	H [in]	J [in]
Z3 HY stationary	94.5 / 153.5	79 / 98 118 / 138	43 / 102	37.4	31.5	20.5	11.8	4	7.9

Technische Daten

Typ	Tractor power [hp]	Propeller speed [rpm]	Propeller diameter [in]	Axial force [kN]	Flow velocity [ft/s]	Pumping rate water [gal/min]	Weight [lbs]				
Z3 HY stationary	82	1,000	22	8.1	24.3	27474	1214.75				
Z3 HY stationary	98	1,000	22.8	9.1	25.3	32493.2	1214.75				

Subject to technical changes