



Giantmix BG2

BG2 75-330

BG2 75-460

**Powerful
High efficiency
Low cost maintenance**



Application

Dry matter content up to 12 %
Substrate temperature up to 158°F
pH-values 6.5 - 8.2

Technical data

Tube length 13 / 16.4 ft
Foil clamp unit, Ø 2.5 ft in ss304 for BG2 75-460
Sound pressure level 75 dB(A)
Oil inspection glass as a service indicator and for monitoring the impermeability

Motor

Power: 7.5 kW (10 hp)
60 Hz, 1,730 rpm
PTC thermistors 160°C as overheat protection
Ex-Motor II 3G Ex nA IIA T3 Gc (Ex-zone 2)

Gear

Planetary gear, helical cut, low noise
Reduction $i = 3.83$ or 5.25
Own oil chamber, gear oil SAE 85W-140 / API GL-5
Oil change interval: 2,000 operating hours

Tube

Tube Ø 4 x 0.23 in, in ss304, ss316 on request
Stub shaft Ø 2 in with intermediate bearings and both sided plug-connection

Propeller

3-bladed, dynamically balanced propeller

BG2 100-330	7.5 kW (10 hp)	propeller HD+ 620	330 rpm
BG2 100-460	7.5 kW (10 hp)	propeller HD+ 480	460 rpm

Optional galvanized, hardened steel and ss304

Bearing

2 tapered roller bearings to absorb the axial forces
Mechanical seal SiC/SiC, independent of rotation direction
Interim bearings in drive shaft

Ex-zone

Ex-zone 2 (outside the tank)
and zone 1 (inside the tank)
Classification mechanical components
 II 2G ck IIA T3

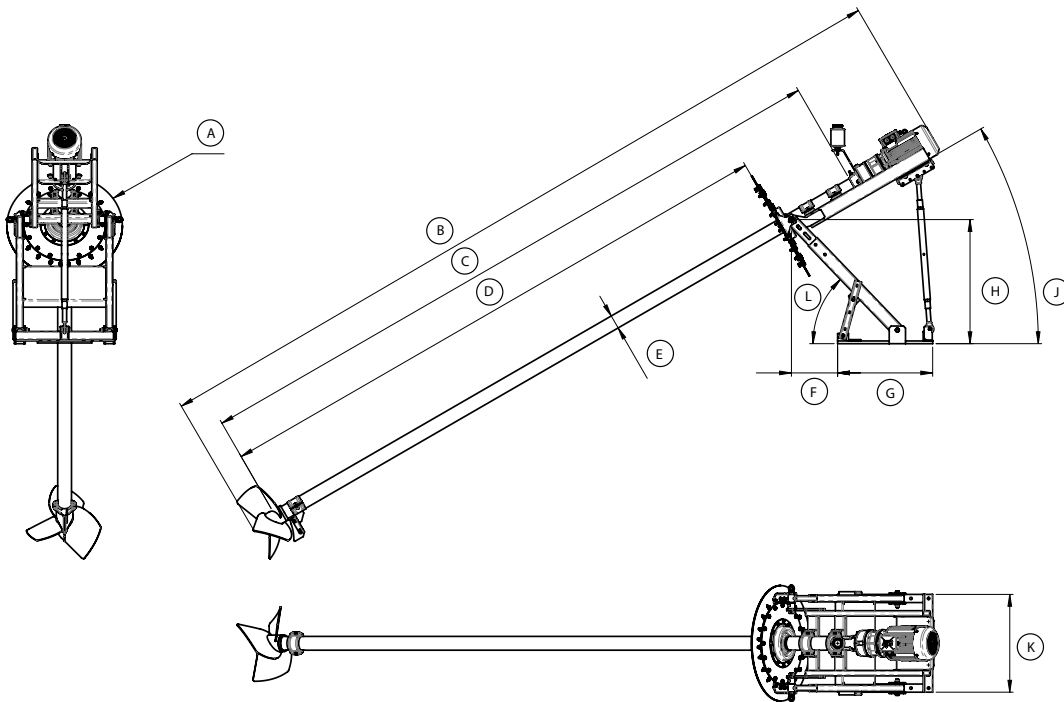
Control box (optional)

Star-delta switch, soft start or frequency converter
Delivery without connecting cable

Giantmix BG2

BG2 75-330

BG2 75-460



Dimensions												
Type	A [ft]	B [ft]	C [ft]	D [ft]	E [in]	F [in]	G [ft]	H [ft]	J [°]	K [ft]	L	
BG2 100-330	-	18.7	16.4	14.4	4	6.9 - 17	2.3	2 - 4	0° - 30°	2.4	30° - 62°	
BG2 100-460	2.5											

Technical data												
Type	Rated power [hp]	Frequency [Hz]	Gear reduction ratio	Propeller speed [rpm]	Propeller diameter [ft]	Axial force [lbf]	Flow velocity, [ft/s] *	Pumping rate Water [gal/min]	Weight approximate [lbs]			
BG2 100-330	10	60	5.25	330	2	404	10.2	95026	617			
BG2 100-460	10	60	3.83	460	1.6	382	9.8	52792	617			

Subject to technical changes

* measured in water and 3.9 ft distance