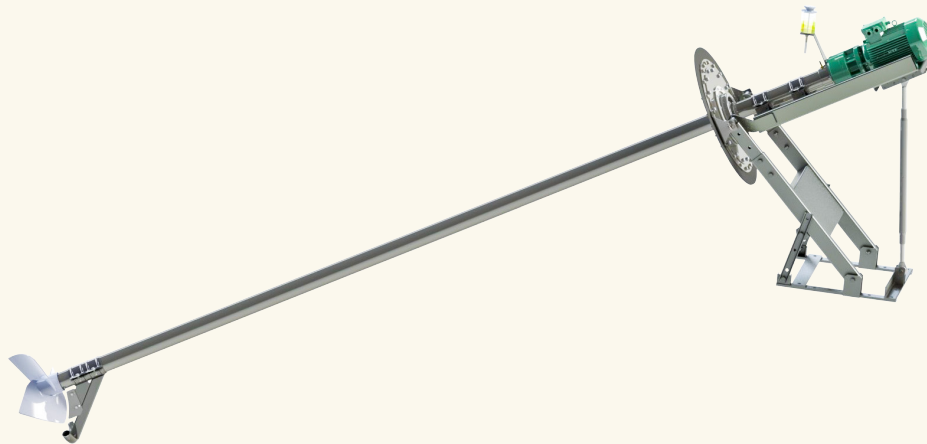


Giantmix BG2



Type BG2 - 13 HP

Powerful
High efficiency
Low cost maintenance

Application

Biogas digester (open and closed lagoons)
Dry matter content up to 12 %
Substrate temperature up to 70°C
pH-values 6.5 - 8.2

Technical data

Tube length 13 / 16.4 ft
Foil clamp unit, Ø 29.5 in in ss304
Sound pressure level 72 dB(A)
Oil inspection glass as a service indicator and for monitoring the impermeability

Motor

Power: 13 hp
460 V, 60 Hz
Temperature sensor 2 x PTC 160°C (overload protection)
Ex-Motor (Series) II 3G Ex nA IIA T3 Gc

Gear

Planetary gear, helical cut, low noise
Reduction $i = 3.83$
Own oil chamber, gear oil SAE 85W-140 / API GL-5
Oil change interval: 2,000 operating hours

Tube

Tube Ø 4 x 0.14 or 0.22 in in ss304
Rohr optional as thick-walled tube available
Slip-on shaft Ø 1.9 in multiple intermediate storages and with two-sided plug-connection

Bearing

2 tapered roller bearings for thrust
Mechanical seals SiC/SiC
Intermediate storages of the drive shaft

Propeller

3-bladed, dynamically balanced propeller
BG2: 13 hp / propeller HD+ 480 / 460 rpm
Optional galvanized, hardened steel, ss304 and hardened ss304

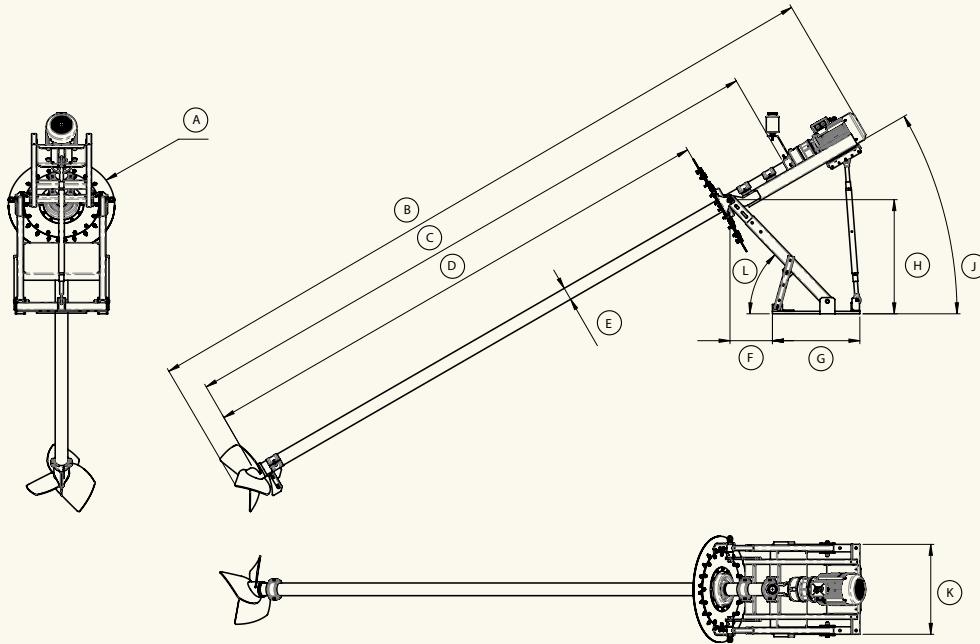
Ex-Zone (tube and gear)

Ex-zone 2 (outside the tank)
and zone 1 (inside the tank)
Classification mechanical components
 II 2G ck IIA T4

Control switch (optional)

Star-delta switch, soft start or frequency converter
Delivery without connecting cable

Rührigant BG2



| Dimensions | | | | | | | | | | | |
|------------|--------|--------|--------|--------|--------|--------|--------|-----------|----------|--------|-----------|
| Typ | A [in] | B [in] | C [in] | D [in] | E [in] | F [in] | G [in] | H [in] | I [°] | J [in] | L [°] |
| BG2 | 33.5 | 224 | 197 | 173 | 4 | 7 - 17 | 27.5 | 23.6 - 47 | 0° - 30° | 28 | 30° - 62° |

| Technical Data | | | | | | | | | | | |
|----------------|------------------|--------------------|--------------------|----------------|----------------------|-----------------------|-------------------------|------------------|----------------------|------------------------------|-------------------------|
| Typ | Rated power [hp] | Rated Voltage [VΔ] | Rated Current [AΔ] | Frequency [Hz] | Gear reduction ratio | Propeller speed [rpm] | Propeller diameter [in] | Axial force [kN] | Flow velocity [ft/s] | Pumping rate Water [gal/min] | Weight approximate [kg] |
| BG2 | 13 | 460 | 14.5 | 60 | 3.83 | 460 | 19 | 1.7 | 7.2 | 12680 | 617 |

Subject to technical changes

*measured in water and a distance of 3.9 ft